



# European Technology

---

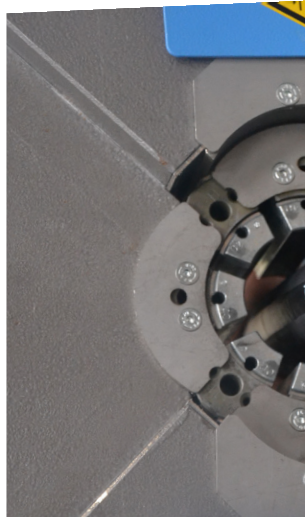
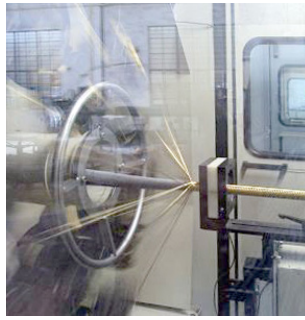
*Established since 1963, **Balflex®** is a European international group of companies dedicated to the design, production, assembly and distribution of all types of high-tech products for conduction of fluids, measuring of pressure and power transmission at very high quality level.*

*55 years of know-how and expertise in this field, makes **Balflex®** the first choice for the mining, agriculture, off-shore and construction industries.*

*Today the **Balflex®** Group covers worldwide users through our own company's production facilities, branches and net of certified distributors.*

**Balflex®** valorizes the inside meaning of the words we use: **Excellence** the quality of being outstanding; **Innovation** the action or process of innovating; **Partnership** cooperation relationship between two or more people, having in mind a common goal; **Tradition** way of thinking or acting, inherited from previous generations.

---





# Quality

Quality is very important for us. We have fully equipped, modern laboratories and equipment, employing the industries most experienced personnel.

Balflex® has earned various certifications for our Management Systems and Products. This reliable and consistent approach has allowed us to achieve our ISO 9001:2015 certification. At Balflex® quality and service always comes first. We are dedicated to continue the development of new products with a strong emphasis on quality.

## Member of:



## Certified by:

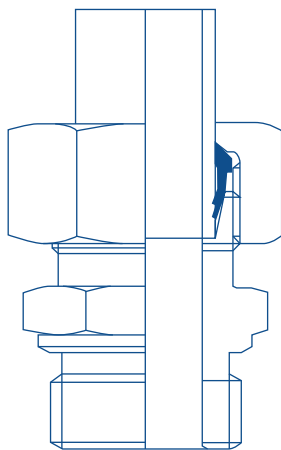






# Balfit 24° Compression Ring Hydraulic Pipe Fittings

*The range of Balfit® 24° compression ring hydraulic pipe fittings is produced according to ISO 8434-1 and DIN 2353 standards. It covers a very wide variety of applications typical of hydraulic pipe pressure lines.*



Balflex® optimized the production of these fittings and their compatibility with a wide range of other types of hydraulic fittings, in order to assure the highest performance and the most extensive range of applications, including BSP and taper threads included in DIN 2353 and not included in ISO 8434-1, as well NPTF threads and banjos not foreseen in both standards, but common in industrial standards. The Balfit® hydraulic fittings program in this catalogue includes thus complete fittings (body, cutting ring and nut) with:

- metric parallel
- BSP parallel and taper threads
- NPTF threads
- UNF threads

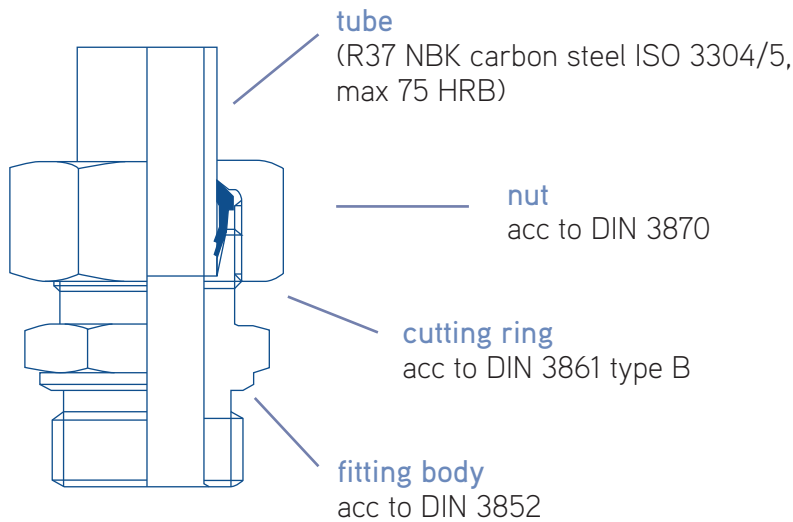
## Compression ring operation principle

---

The compression ring (also called cutting ring) mechanical fittings assure assembly of threaded fittings to removable hydraulic tubes without any need of tapping, welding or flaring. It provides maximum assembly simplicity with perfect sealing characteristics.

Sealing is achieved through permanent deformation of the tube. The compression ring is designed to fit on the tube and into the 24° cone of the fitting body. When the nut is tightened the ring is compressed into the cone and its cutting edge bites into the tube, assuring through deformation of the tube outer wall both securement and sealing.

Balfit® compression ring fittings use DIN 3861 type B compression rings, with 2 cutting edges. This design has the advantage of providing a better balance of forces, superior sealing and added resistance to vibrations.



## Assembly Instructions

The preparation sequence comprises the following 3 steps:

- a) The tube is cut square with a hack-saw (roller type saws should be avoided), leaving a straight section for assembly of the fitting with at least twice the length of the nut; the tube edges must be de-burred.
- b) All contact parts (e.g. the 24° cone, the threads and the ring) must be lubricated with an adequate product.
- c) The nut and the compression ring are inserted up the tube as in the picture above; the larger diameter of the ring must face the nut in order that the cutting edges will face the 24° cone of the fitting body.

Tubes shall conform to ISO 3304/5 R37 NBK or DIN 1630 St 37.4, with maximum hardness of HRB 75. Light wall tubes may require an insert.

Assembly should follow the instructions of DIN 3859 part 2 and is also a 3-step procedure:

- the cutting ring is made to bite the tube;
- the correct seating of the cutting ring is verified;
- the assembly is tightened.

The first step can be made either on the final application placement, using standard fitting body, or as a pre-assembly on a workbench using a specific hardened tool with the 24° cone form. The wear of pre-assembly tools has to be verified every 40 to 50 assemblies. Large diameter tubes (Ø 10 mm) should always be pre-assembled using hardened blocks. If standard fitting bodies are used, they should be replaced with each tightening.

### Assembly using hardened tools comprises:

- a) To make the compression ring bite into the tube (step 1), hold the tube firmly against the 24° cone and tighten the nut 3/4 of a turn.
- b) Loosen the nut to verify (step 2) that the compression ring edges have cut into the tube (a raised edge of tube material must be clearly visible all around the tube in front of the compression ring).
- c) Tighten the tube on the pressure line (step 3) until resistance is met (which means that the previous tightening position is found); turn the nut another 1/4 of a turn for optimal pressure resistance.



**Note:** In step one make sure that the tube is held firmly against the cone; otherwise it will advance with the nut and the ring will not cut into its surface. Make sure also that the tube does not rotate with the nut. In a successful pre-assembly the ring may still be turned around the tube, although not moving from its placement. If the ring is not correctly secured the process has to be restarted.

### Assembly on the final placement with standard fittings comprises:

- a) To make the compression ring bite into the tube (step 1), hold the tube firmly against the 24° cone tighten the nut by hand against the ring and then tighten the nut 1 1/2 turns with two wrenches.
- b) Loosen the nut to verify (step 2) that the compression ring edges have cut into the tube (a raised edge of tube material must be clearly visible all around the tube in front of the compression ring).
- c) Tighten the nut again (step 3) with the same force as in step 1.

## Technical Characteristics

---

The **Balfit®** compression ring fittings in carbon steel are designed for petroleum based hydraulic fluids applications with a **temperature range of -20°C to +100°C**. These limits may be exceeded using other construction materials for the fittings bodies and sealing rings. Stainless steel variants of the fittings with viton seals, achieving maximum temperatures of 200° C, are listed in the catalogue pages. If other fluids are used, corrosion resistance of the fittings should be verified before application.

Pressure classes for **Balfit®** compression ring fittings follow ISO and DIN standards classification in

- **L** for light duty fittings, with a maximum working pressure of 31,5 MPa (4500 PSI); and
- **S** for heavy duty fittings, with a maximum working pressure of 63 MPa (9000 PSI).

The **safety factor of 4:1** relating minimum burst pressure to recommended working pressure applies. The working pressure for each fitting and size is listed in the catalogue pages for working temperature of 20° C. A linear de-rating factor of 12%/100°C should be used for higher working temperatures.

Compression ring fittings have good resistance to vibration. However, in presence of fluid hammering, the heavy duty fittings should be used.

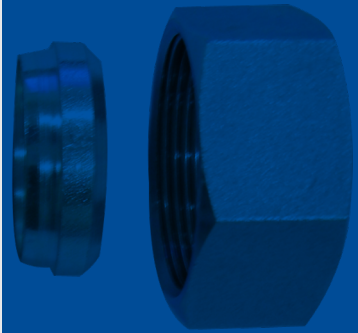
Cylindrical and taper threads should be used always matched. In case of cylindrical threads used against softer materials, gasket type should always be preferred, to guarantee sealing even at low torque values.



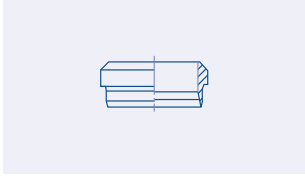
# Balfit 24° Compression Ring Hydraulic Pipe Fittings

---

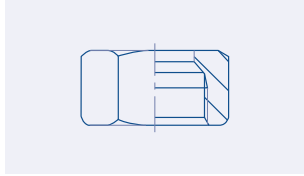




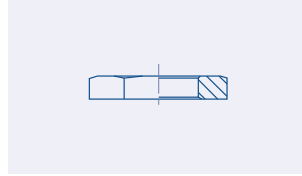
## Nut, Ring & Locknut



**24° Double Edge  
Compression Ring**  
34.101

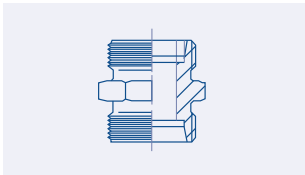


**Tightening Nut**  
34.102

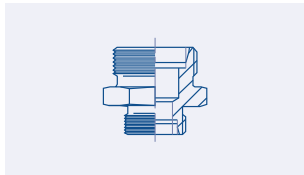


**Metric Bulkhead Nut**  
34.179

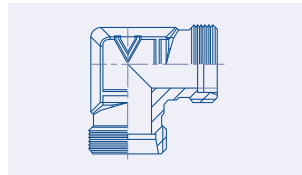
## Tube to Tube



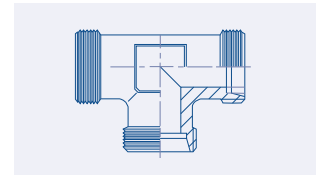
**Straight Union  
Tube Connector**  
34.135



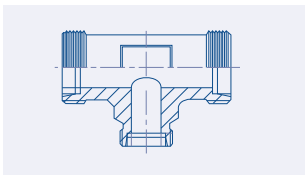
**Straight Reducing  
Union Tube Connector**  
34.141



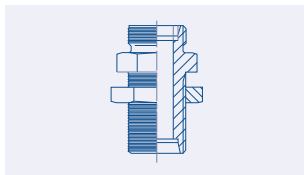
**90° Elbow Union  
Tube Connector**  
34.138



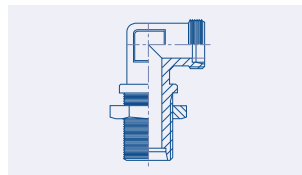
**Tee Union  
Tube Connector**  
34.139



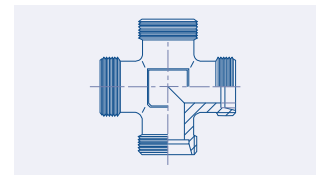
**Tee Reducing Union  
Tube Connector**  
34.145



**Straight Bulkhead  
Union Tube Connector**  
34.136

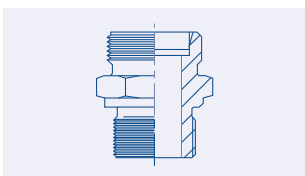


**90° Elbow Bulkhead  
Union Tube Connector**  
34.137

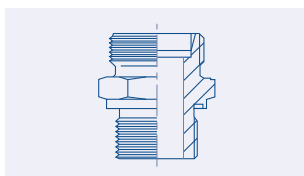


**Cross Union  
Tube Connector**  
34.140

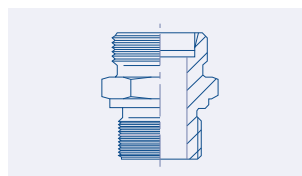
## Male Stud Tube Connectors



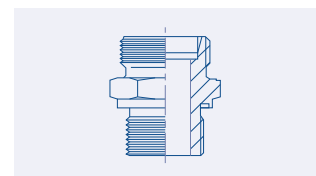
**BSP Parallel Male  
Tube Connector**  
34.103



**BSP Parallel Male  
Tube Connector with  
Elastomeric Seal**  
34.105



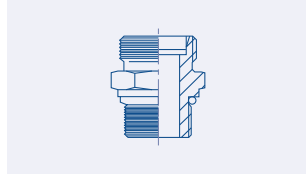
**Metric Male  
Tube Connector**  
34.104



**Metric Male Tube  
Connector with  
Elastomeric Seal**  
34.106



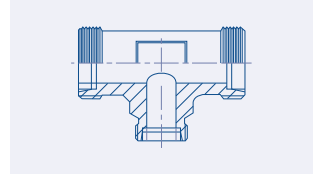
**BSPT Tapered Male  
Tube Connector**  
34.117



**NPT Male  
Tube Connector**  
34.118

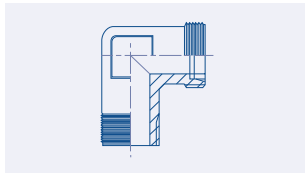


**UNF Male  
Tube Connector**  
34.161

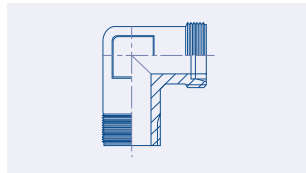


**Swivel Reducing  
Tube Connector**  
34.153

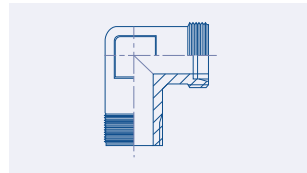
## Elbow Male Tube Connectors



**BSPT Tapered 90° Elbow  
Male Tube Connector**  
34.120

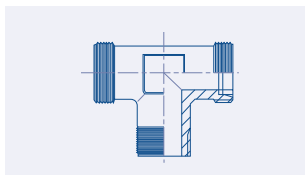


**NPT Tapered 90° Elbow  
Male Tube Connector**  
34.121

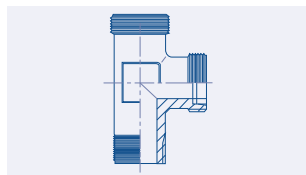


**Metric 90° Elbow  
Male Tube Connector**  
34.124

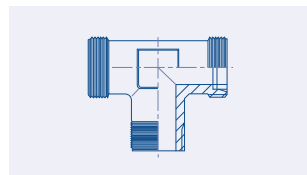
## Tee Tube Connectors



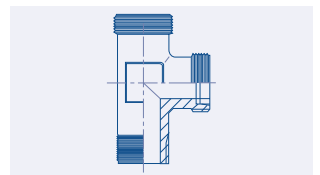
**BSPT Male Tapered  
Branch Tee Tube  
Connector**  
34.125



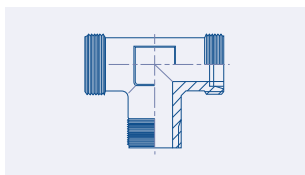
**BSPT Male Tapered  
Run Tee Tube Connector**  
34.130



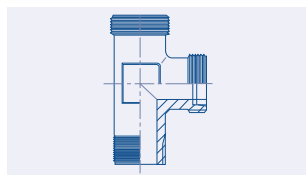
**Metric Male Branch  
Tee Tube Connector**  
34.129



**Metric Male Run  
Tee Tube Connector**  
34.134

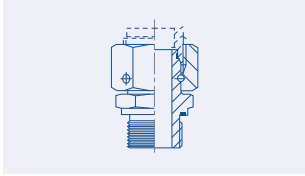


**NPT Male Branch  
Tee Tube Connector**  
34.126

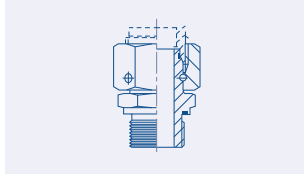


**NPT Male Run Tee  
Tube Connector**  
34.127

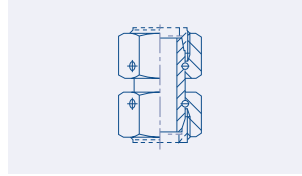
## Swivel Tube Connectors



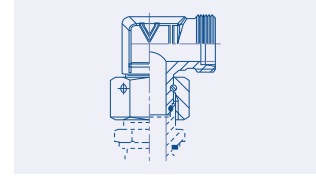
**BSP Male Swivel  
Tube Connector**  
34.605



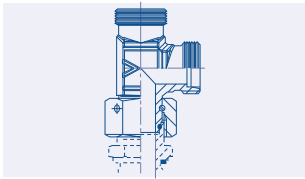
**Metric Male Swivel  
Tube Connector**  
34.606



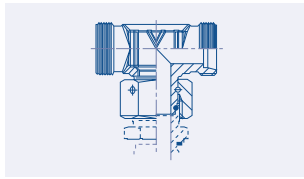
**Metric Swivel  
Tube Connector**  
34.635



**Swivel 90° Elbow  
Adjustable Tube  
Connector**  
34.642

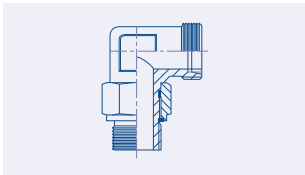


**Swivel Run Tee  
Adjustable Tube  
Connector**  
34.646

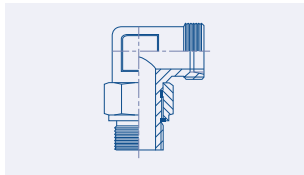


**Swivel Branch Tee  
Adjustable Tube  
Connector**  
34.650

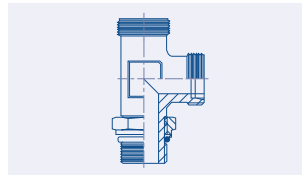
## Adjustable Tube Connectors



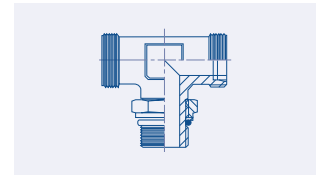
**BSP Male Adjustable 90°  
Elbow Tube Connector**  
34.143



**Metric Male Adjustable 90°  
Elbow Tube Connector**  
34.144

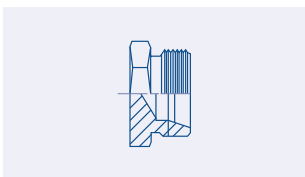


**Metric Male Run  
Tee Tube Connector**  
34.148

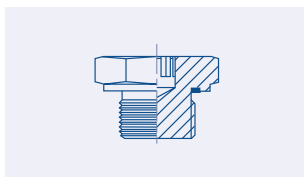


**Metric Male Branch  
Tee Tube Connector**  
34.152

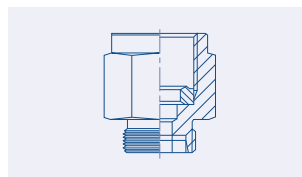
## Plugs



**Tube Blanking Screw**  
34.175



**Metric Plug with  
Hexagon Socket**  
34.177

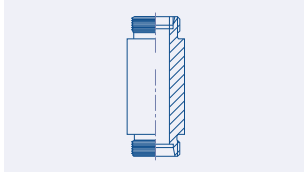


**BSP Gauge  
Tube Connector**  
34.159



## Welding Tube Connectors

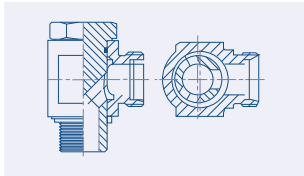
---



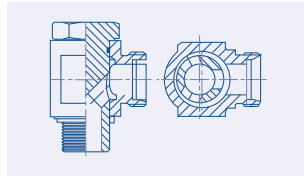
**Bulkhead Welding  
Tube Connector**  
34.156

## Banjo Tube Connectors

---

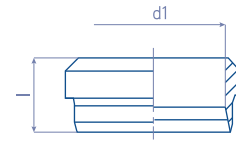


**BSP Banjo  
Tube Connector**  
34.113



**Metric Banjo  
Tube Connector**  
34.114

# 24° Double Edge Compression Ring



34.101

ISO 8434-1 Cutting Ring

REFERENCE	serie	dimensions (mm)	
		Ø tube d1	l
34.101.06LS	L/S	6	9.5
34.101.08LS	L/S	8	9.5
34.101.10LS	L/S	10	10.0
34.101.12LS	L/S	12	10.0
34.101.15L	L	15	10.0
34.101.18L	L	18	10.0
34.101.22L	L	22	10.5
34.101.28L	L	28	11.0
34.101.35L	L	35	13.0
34.101.42L	L	42	13.0
34.101.14S	S	14	10.0
34.101.16S	S	16	10.5
34.101.20S	S	20	12.0
34.101.25S	S	25	12.0
34.101.30S	S	30	13.0
34.101.38S	S	38	13.0

**MATERIAL:** Carbon Steel

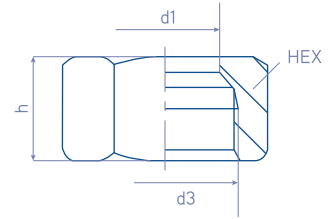
**FINISH:** : Chromium-(VI) Free plating  
with Finigard® protective coating

**VERSIONS:** Stainless Steel (add an 'S'  
at the end of the REFERENCE)



# Tightening Nut

34.102.  
ISO 8434-1 Nut



REFERENCE	serie	dimensions (mm)		dimensions (mm)	
		Ø tube d1	H	d3	HEX
34.102.06L	L	6	14.5	12x1.5	14
34.102.08L	L	8	14.5	14x1.5	17
34.102.10L	L	10	15.5	16x1.5	19
34.102.12L	L	12	15.5	18x1.5	22
34.102.15L	L	15	17.0	22x1.5	27
34.102.18L	L	18	18.0	26x1.5	32
34.102.22L	L	22	20.0	30x2.0	36
34.102.28L	L	28	21.0	36x2.0	41
34.102.35L	L	35	24.0	45x2.0	50
34.102.42L	L	42	24.0	52x2.0	60
34.102.06S	S	6	16.5	14x1.5	17
34.102.08S	S	8	16.5	16x1.5	19
34.102.10S	S	10	17.5	18x1.5	22
34.102.12S	S	12	17.5	20x1.5	24
34.102.14S	S	14	20.5	22x1.5	27
34.102.16S	S	16	20.5	24x1.5	30
34.102.20S	S	20	24	30x2	36
34.102.25S	S	25	27	36x2	46
34.102.30S	S	30	29	42x2	50
34.102.38S	S	38	32.5	52x2	60

**MATERIAL:** Carbon Steel

**FINISH:** Chromium-(VI) Free plating

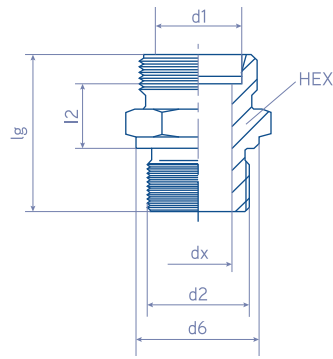
**VERSIONS:** Stainless Steel (add an 'S' at the end of the REFERENCE)



# BSP Parallel Male Tube Connector

34.103.

ISO 8434-1 tube coupling and DIN ISO 1179-4 Form-B BSP Thread



REFERENCE	serie	dimensions (mm)	dimensions (inch)	dimensions (mm)				
		Ø tube d1	thread d2	d6	dx	lg	l2	HEX
34.103.06LR02	L	6	1/8"	14	4	23.5	8.5	14
34.103.06LR04	L	6	1/4"	18	4	28.0	9.0	19
34.103.08LR02	L	8	1/8"	14	4	24.5	9.5	17
34.103.08LR04	L	8	1/4"	18	6	29.0	10.0	19
34.103.08LR06	L	8	3/8"	22	6	30.5	11.5	22
34.103.08LR08	L	8	1/2"	26	6	33.0	12.0	27
34.103.10LR02	L	10	1/8"	14	4	25.5	10.5	17
34.103.10LR04	L	10	1/4"	18	6	30.0	11.0	19
34.103.10LR06	L	10	3/8"	22	7	31.5	12.5	22
34.103.10LR08	L	10	1/2"	26	7	34.0	13.0	27
34.103.12LR04	L	12	1/4"	18	6	31.0	12.0	19
34.103.12LR06	L	12	3/8"	22	9	31.5	12.5	22
34.103.12LR08	L	12	1/2"	26	9	34.0	13.0	27
34.103.15LR06	L	15	3/8"	22	9	32.5	13.5	24
34.103.15LR08	L	15	1/2"	26	11	35.0	14.0	27
34.103.15LR12	L	15	3/4"	32	12	38.0	15.0	32
34.103.18LR08	L	18	1/2"	26	14	36.0	14.5	27
34.103.18LR12	L	18	3/4"	32	15	38.0	14.5	32
34.103.22LR08	L	22	1/2"	26	14	38.0	16.5	32
34.103.22LR12	L	22	3/4"	32	18	40.0	16.5	32
34.103.22LR16	L	22	1"	39	19	43.0	17.5	41
34.103.28LR12	L	28	3/4"	32	18	41.0	17.5	41
34.103.28LR16	L	28	1"	39	23	43.0	17.5	41
34.103.35LR16	L	35	1"	39	23	46.0	17.5	50
34.103.35LR20	L	35	1.1/4"	49	30	18.0	17.5	50
34.103.42LR20	L	42	1.1/4"	49	30	50.0	19.0	55
34.103.42LR24	L	42	1.1/2"	55	36	52.0	19.0	55
34.103.06SR04	S	6	1/4"	18	4	32.0	13.0	19
34.103.06SR06	S	6	3/8"	22	4	34.5	15.5	22



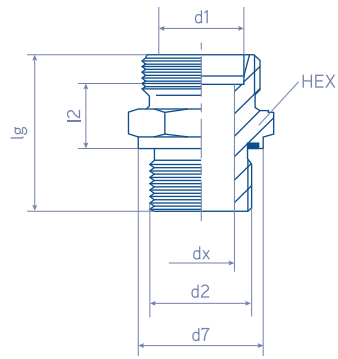
REFERENCE	serie	dimensions (mm)	dimensions (inch)	dimensions (mm)				
		Ø tube d1	thread d2	d6	dx	lg	l2	HEX
34.103.08SR04	S	8	1/4"	18	5	34.0	15.0	19
34.103.08SR06	S	8	3/8"	22	5	34.5	15.5	22
34.103.10SR04	S	10	1/4"	18	5	34.0	14.5	19
34.103.10SR06	S	10	3/8"	22	7	34.5	15.0	22
34.103.10SR08	S	10	1/2"	26	7	35.0	13.5	27
34.103.12SR04	S	12	1/4"	18	5	36.0	16.5	22
34.103.12SR06	S	12	3/8"	22	8	36.5	17.0	22
34.103.12SR08	S	12	1/2"	26	8	39.0	17.5	27
34.103.14SR06	S	14	3/8"	22	8	39.0	19.0	24
34.103.14SR08	S	14	1/2"	26	10	41.0	19.0	27
34.103.16SR06	S	16	3/8"	22	8	38.5	18.0	27
34.103.16SR08	S	16	1/2"	26	12	41.0	18.5	27
34.103.16SR12	S	16	3/4"	32	12	45.0	20.5	32
34.103.20SR08	S	20	1/2"	26	12	45.0	20.5	32
34.103.20SR12	S	20	3/4"	32	16	47.0	20.5	32
34.103.20SR16	S	20	1"	39	16	51.0	22.5	41
34.103.25SR12	S	25	3/4"	32	16	51.0	23.0	41
34.103.25SR16	S	25	1"	39	20	53.0	23.0	41
34.103.30SR16	S	30	1"	39	20	55.0	23.5	50
34.103.30SR20	S	30	1 1/4"	49	25	57.0	23.5	50
34.103.38SR20	S	38	1 1/4"	49	25	62.0	26.0	55
34.103.38SR24	S	38	1 1/2"	55	32	64.0	26.0	55

**MATERIAL:** Carbon Steel  
**FINISH:** : Chromium-(VI) Free plating

**COMPLETE:** With Double Edge Compression Ring and Tightening Nut (add an 'P' at the begin of REFERENCE)

**VERSIONS:** Stainless Steel (add an 'S' at the end of the REFERENCE)

# BSP Parallel Male Tube Connector with Elastomeric Seal



34.105.

ISO 8434-1 tube coupling and DIN ISO 1179-2 Form-E BSP Thread

REFERENCE	serie	dimensions (mm)	dimensions (inch)	dimensions (mm)				
		Ø tube d1	thread d2	d7	dx	lg	l2	HEX
34.105.06LR02	L	6	1/8"	13.9	4	23.5	8.5	14
34.105.06LR04	L	6	1/4"	18.9	4	28.0	9.0	19
34.105.06LR06	L	6	3/8"	21.9	4	30.5	11.5	22
34.105.08LR02	L	8	1/8"	13.9	4	24.5	9.5	17
34.105.08LR04	L	8	1/4"	18.9	6	29.0	10.0	19
34.105.08LR06	L	8	3/8"	21.9	6	30.5	11.5	22
34.105.08LR08	L	8	1/2"	26.9	6	33.0	12.0	27
34.105.10LR02	L	10	1/8"	13.9	4	25.5	10.5	17
34.105.10LR04	L	10	1/4"	18.9	6	30.0	11.0	19
34.105.10LR06	L	10	3/8"	21.9	7	31.5	12.5	22
34.105.10LR08	L	10	1/2"	26.9	7	34.0	13.0	27
34.105.12LR04	L	12	1/4"	18.9	6	31.0	12.0	19
34.105.12LR06	L	12	3/8"	21.9	9	31.5	12.5	22
34.105.12LR08	L	12	1/2"	26.9	9	34.0	13.0	27
34.105.15LR06	L	15	3/8"	21.9	9	32.5	13.5	24
34.105.15LR08	L	15	1/2"	26.9	11	35.0	14.0	27
34.105.15LR12	L	15	3/4"	31.9	12	38.0	15.0	32
34.105.18LR08	L	18	1/2"	26.9	14	36.0	14.5	27
34.105.18LR12	L	18	3/4"	31.9	15	38.0	14.5	32
34.105.22LR08	L	22	1/2"	26.9	14	38.0	16.5	32
34.105.22LR12	L	22	3/4"	31.9	18	40.0	16.5	32
34.105.22LR16	L	22	1"	39.9	19	43.0	17.5	41
34.105.28LR12	L	28	3/4"	31.9	18	41.0	17.5	41
34.105.28LR16	L	28	1"	39.9	23	43.0	17.5	41
34.105.35LR16	L	35	1"	39.9	23	46.0	17.5	50
34.105.35LR20	L	35	1.1/4"	49.9	30	18.0	17.5	50
34.105.42LR20	L	42	1.1/4"	49.9	30	50.0	19.0	55
34.105.42LR24	L	42	1.1/2"	54.9	36	52.0	19.0	55
34.105.06SR04	S	6	1/4"	18.9	4	32.0	13.0	19



REFERENCE	serie	dimensions	dimensions	dimensions (mm)				
		(mm)	(inch)	d7	dx	lg	l2	HEX
		Ø tube d1	thread d2					
34.105.06SR06	S	6	3/8"	21.9	4	34.5	15.5	22
34.105.08SR04	S	8	1/4"	18.9	5	34.0	15.0	19
34.105.08SR06	S	8	3/8"	21.9	5	34.5	15.5	22
34.105.10SR04	S	10	1/4"	18.9	5	34.0	14.5	19
34.105.10SR06	S	10	3/8"	21.9	7	34.5	15.0	22
34.105.10SR08	S	10	1/2"	26.9	7	35.0	13.5	27
34.105.12SR04	S	12	1/4"	18.9	5	36.0	16.5	22
34.105.12SR06	S	12	3/8"	21.9	8	36.5	17.0	22
34.105.12SR08	S	12	1/2"	26.9	8	39.0	17.5	27
34.105.14SR06	S	14	3/8"	21.9	8	39.0	19.0	24
34.105.14SR08	S	14	1/2"	26.9	10	41.0	19.0	27
34.105.16SR06	S	16	3/8"	21.8	8	38.5	18.0	27
34.105.16SR08	S	16	1/2"	26.9	12	41.0	18.5	27
34.105.16SR12	S	16	3/4"	31.9	12	45.0	20.5	32
34.105.20SR08	S	20	1/2"	26.9	12	45.0	20.5	32
34.105.20SR12	S	20	3/4"	31.9	16	47.0	20.5	32
34.105.20SR16	S	20	1"	39.9	16	51.0	22.5	41
34.105.25SR12	S	25	3/4"	31.9	16	51.0	23.0	41
34.105.25SR16	S	25	1"	39.9	20	53.0	23.0	41
34.105.30SR16	S	30	1"	39.9	20	55.0	23.5	50
34.105.30SR20	S	30	1.1/4"	49.9	25	57.0	23.5	50
34.105.38SR20	S	38	1.1/4"	49.9	25	62.0	26.0	55
34.105.38SR24	S	38	1.1/2"	54.9	32	64.0	26.0	55

**MATERIAL:** Carbon Steel  
**FINISH:** : Chromium-(VI) Free plating

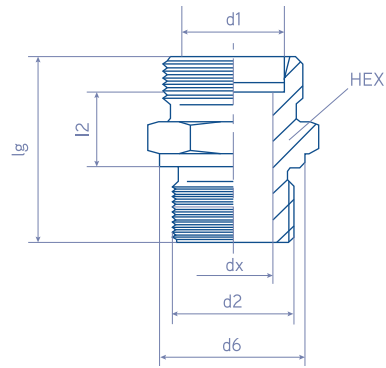
**COMPLETE:** With Double Edge Compression Ring and Tightening Nut (add an 'P' at the begin of REFERENCE)

**VERSIONS:** Stainless Steel (add an 'S' at the end of the REFERENCE)

# Metric Male Tube Connector

34.104.

ISO 8434-1 tube coupling and DIN 3852-1 Form-C Metric Thread



REFERENCE	serie	dimensions (mm)		dimensions (mm)					
		Ø tube d1	thread d2	d6	dx	lg	l2	HEX	
34.104.06LM10	L	6	M10x1.0	14.0	4	23.5	8.5	14	
34.104.08LM12	L	8	M12x1.5	17.0	6	29.0	10.0	17	
34.104.08LM18	L	8	M18x1.5	23.0	6	30.5	11.5	24	
34.104.10LM14	L	10	M14x1.5	19.0	7	30.0	11.0	19	
34.104.10LM16	L	10	M16x1.5	21.0	7	31.5	12.5	22	
34.104.10LM18	L	10	M18x1.5	23.0	7	31.5	12.5	24	
34.104.10LM22	L	10	M22x1.5	27.0	8	35.0	14.0	27	
34.104.12LM14	L	12	M14x1.5	19.0	7	31.5	12.5	19	
34.104.12LM16	L	12	M16x1.5	21.0	9	31.5	12.5	22	
34.104.12LM18	L	12	M18x1.5	23.0	9	31.5	12.5	24	
34.104.12LM22	L	12	M22x1.5	27.0	10	35.0	14.0	27	
34.104.15LM16	L	15	M16x1.5	21.0	9	32.0	13.0	24	
34.104.15LM18	L	15	M18x1.5	23.0	11	32.5	13.5	24	
34.104.15LM22	L	15	M22x1.5	27.0	12	36.0	15.0	27	
34.104.18LM18	L	18	M18x1.5	23.0	11	33.5	14.0	27	
34.104.18LM22	L	18	M22x1.5	27.0	14	36.0	14.5	27	
34.104.22LM22	L	22	M22x1.5	27.0	14	38.0	16.5	32	
34.104.22LM26	L	22	M26x1.5	31.0	18	40.0	16.5	32	
34.104.28LM33	L	28	M33x2.0	39.0	23	43.0	17.5	41	
34.104.35LM42	L	35	M42x2.0	49.0	30	48.0	17.5	50	
34.104.42LM48	L	42	M48x2.0	55.0	36	52.0	19.0	55	
34.104.06SM12	S	6	M12x1.5	17.0	4	32.0	13.0	17	
34.104.08SM14	S	8	M14x1.5	19.0	5	34.0	15.0	19	
34.104.10SM16	S	10	M16x1.5	21.0	7	34.5	15.0	22	
34.104.12SM18	S	12	M18x1.5	23.0	8	36.5	17.0	24	
34.104.12SM22	S	12	M22x1.5	27.0	8	39.0	17.5	27	
34.104.14SM20	S	14	M20x1.5	25.0	10	41.0	19.0	27	
34.104.16SM18	S	16	M18x1.5	23.0	8	38.5	18.0	24	
34.104.16SM22	S	16	M22x1.5	27.0	12	41.0	18.5	27	
34.104.20SM27	S	20	M27x2.0	32.0	16	47.0	20.5	32	
34.104.25SM33	S	25	M33x2.0	39.0	20	53.0	23.0	41	
34.104.30SM42	S	30	M42x2.0	49.0	25	57.0	23.5	50	
34.104.38SM48	S	38	M48x2.0	55.0	32	64.0	26.0	55	

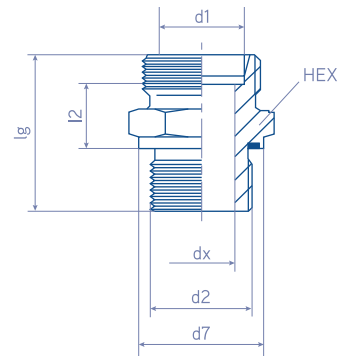
**MATERIAL:** Carbon Steel  
**FINISH:** : Chromium-(VI) Free plating

**COMPLETE:** With Double Edge Compression Ring and Tightening Nut (add an 'P' at the begin of REFERENCE)

**VERSIONS:** Stainless Steel (add an 'S' at the end of the REFERENCE)



# Metric Male Tube Connector with Elastomeric Seal



## 34.106.

ISO 8434-1 tube coupling and ISO 9974-2 Form-E Metric Thread

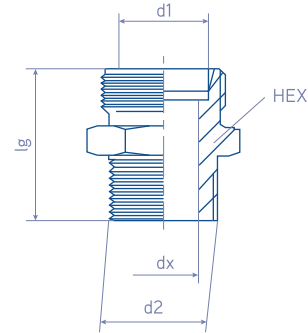
REFERENCE	serie	dimensions (mm)	dimensions (mm)	dimensions (mm)				
		Ø tube d1	thread d2	d7	dx	lg	l2	HEX
34.106.06LM10	L	6	M10x1.0	13.9	4	23.5	8.5	14
34.106.08LM12	L	8	M12x1.5	16.9	6	29.0	10.0	17
34.106.08LM18	L	8	M18x1.5	23.9	6	30.5	11.5	24
34.106.10LM14	L	10	M14x1.5	18.9	7	30.0	11.0	19
34.106.10LM16	L	10	M16x1.5	21.9	7	31.5	12.5	22
34.106.10LM18	L	10	M18x1.5	23.9	7	31.5	12.5	24
34.106.10LM22	L	10	M22x1.5	26.9	8	35.0	14.0	27
34.106.12LM14	L	12	M14x1.5	18.9	7	31.5	12.5	19
34.106.12LM16	L	12	M16x1.5	21.9	9	31.5	12.5	22
34.106.12LM18	L	12	M18x1.5	23.9	9	31.5	12.5	24
34.106.12LM22	L	12	M22x1.5	26.9	10	35.0	14.0	27
34.106.15LM16	L	15	M16x1.5	21.9	9	32.0	13.0	24
34.106.15LM18	L	15	M18x1.5	23.9	11	32.5	13.5	24
34.106.15LM22	L	15	M22x1.5	26.9	12	36.0	15.0	27
34.106.18LM18	L	18	M18x1.5	23.9	11	33.5	14.0	27
34.106.18LM22	L	18	M22x1.5	26.9	14	36.0	14.5	27
34.106.22LM22	L	22	M22x1.5	26.9	14	38.0	16.5	32
34.106.22LM26	L	22	M26x1.5	31.9	18	40.0	16.5	32
34.106.28LM33	L	28	M33x2.0	39.9	23	43.0	17.5	41
34.106.35LM42	L	35	M42x2.0	49.9	30	48.0	17.5	50
34.106.42LM48	L	42	M48x2.0	54.9	36	52.0	19.0	55
34.106.06SM12	S	6	M12x1.5	16.9	4	32.0	13.0	17
34.106.08SM14	S	8	M14x1.5	18.9	5	34.0	15.0	19
34.106.10SM16	S	10	M16x1.5	21.9	7	34.5	15.0	22
34.106.12SM18	S	12	M18x1.5	23.9	8	36.5	17.0	24
34.106.12SM22	S	12	M22x1.5	26.9	8	39.0	17.5	27
34.106.14SM20	S	14	M20x1.5	25.9	10	41.0	19.0	27
34.106.16SM18	S	16	M18x1.5	23.9	8	38.5	18.0	24
34.106.16SM22	S	16	M22x1.5	26.9	12	41.0	18.5	27
34.106.20SM27	S	20	M27x2.0	31.9	16	47.0	20.5	32
34.106.25SM33	S	25	M33x2.0	39.9	20	53.0	23.0	41
34.106.30SM42	S	30	M42x2.0	49.9	25	57.0	23.5	50
34.106.38SM48	S	38	M48x2.0	54.9	32	64.0	26.0	55

**MATERIAL:** Carbon Steel  
**FINISH:** : Chromium-(VI) Free plating

**COMPLETE:** With Double Edge Compression Ring and Tightening Nut (add an 'P' at the begin of REFERENCE)

**VERSIONS:** Stainless Steel (add an 'S' at the end of the REFERENCE)

# BSPT Tapered Male Tube Connector



34.117.

ISO 8434-1 tube coupling and DIN 3852-2 Form-C BSPT Thread

REFERENCE	serie	dimensions (mm)		dimensions (mm)		
		Ø tube d1	thread d2	dx	lg	HEX
34.117.06LR02	L	6	1/8"	4	22.0	14
34.117.06LR04	L	6	1/4"	4	26.0	14
34.117.08LR02	L	8	1/8"	4	23.0	14
34.117.08LR04	L	8	1/4"	6	27.0	17
34.117.08LR06	L	8	3/8"	6	28.0	19
34.117.08LR08	L	8	1/2"	6	30.0	24
34.117.10LR04	L	10	1/4"	7	28.0	17
34.117.10LR06	L	10	3/8"	8	28.0	19
34.117.10LR08	L	10	1/2"	8	31.0	24
34.117.12LR04	L	12	1/4"	7	29.0	19
34.117.12LR06	L	12	3/8"	9	29.0	19
34.117.12LR08	L	12	1/2"	9	31.0	24
34.117.15LR06	L	15	3/8"	11	30.0	24
34.117.15LR08	L	15	1/2"	11	32.0	24
34.117.18LR08	L	18	1/2"	14	33.0	27
34.117.18LR12	L	18	3/4"	14	35.0	30
34.117.22LR12	L	22	3/4"	18	37.0	32
34.117.28LR16	L	28	1"	23	40.0	41
34.117.06SR04	S	6	1/4"	4	30.0	17
34.117.08SR04	S	8	1/4"	5	32.0	17
34.117.10SR06	S	10	3/8"	7	32.0	19
34.117.12SR06	S	12	3/8"	8	34.0	22
34.117.14SR08	S	14	1/2"	10	38.0	27
34.117.16SR08	S	16	1/2"	12	38.0	27
34.117.20SR12	S	20	3/4"	16	44.0	32

**MATERIAL:** Carbon Steel  
**FINISH:** Chromium-(VI) Free plating

**COMPLETE:** With Double Edge Compression Ring and Tightening Nut (add an 'P' at the begin of REFERENCE)

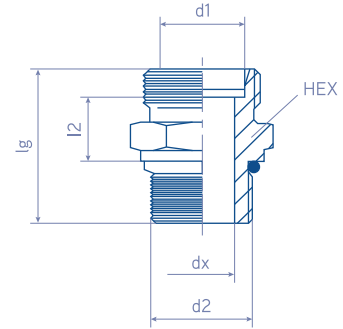
**VERSIONS:** Stainless Steel (add an 'S' at the end of the REFERENCE)



# NPT Male Tube Connector

34.118.

ISO 8434-1 tube coupling and ANSI B1.20.3 NPT Thread



REFERENCE	serie	dimensions (mm)		dimensions (mm)		
		Ø tube d1	thread d2	dx	lg	HEX
34.118.06LN02	L	6	1/8"	4	23.9	12
34.118.06LN04	L	6	1/4"	4	30.0	17
34.118.08LN02	L	8	1/8"	5	24.9	14
34.118.08LN04	L	8	1/4"	6	30.1	17
34.118.08LN06	L	8	3/8"	6	31.2	19
34.118.08LN08	L	8	1/2"	6	38.5	24
34.118.10LN02	L	10	1/8"	4	27.0	17
34.118.10LN04	L	10	1/4"	7	31.1	17
34.118.10LN06	L	10	3/8"	8	32.2	19
34.118.10LN08	L	10	1/2"	8	37.8	24
34.118.12LN04	L	12	1/4"	7	32.0	19
34.118.12LN06	L	12	3/8"	9	32.2	19
34.118.12LN08	L	12	1/2"	10	36.8	24
34.118.15LN06	L	15	3/8"	9	33.2	24
34.118.15LN08	L	15	1/2"	11	37.8	24
34.118.18LN08	L	18	1/2"	14	38.8	27
34.118.18LN12	L	18	3/4"	14	39.1	30
34.118.22LN08	L	22	1/2"	14	40.8	32
34.118.22LN12	L	22	3/4"	18	41.1	32
34.118.28LN16	L	28	1"	23	47.0	41
34.118.35LN20	L	35	1.1/4"	30	50.6	46
34.118.42LN24	L	42	1.1/2"	36	53.0	55
34.118.06SN04	S	6	1/4"	4	33.1	17
34.118.08SN04	S	8	1/4"	5	35.1	17
34.118.08SN06	S	8	3/8"	5	35.0	19



REFERENCE	serie	dimensions (mm)		dimensions (inch)		
		Ø tube d1	thread d2	dx	lg	HEX
34.118.10SN04	S	10	1/4"	5	35.1	19
34.118.10SN06	S	10	3/8"	7	35.2	19
34.118.10SN08	S	10	1/2"	7	41.8	24
34.118.12SN04	S	12	1/4"	5	37.1	22
34.118.12SN06	S	12	3/8"	8	37.2	22
34.118.12SN08	S	12	1/2"	8	41.8	24
34.118.14SN06	S	14	3/8"	8	39.0	24
34.118.14SN08	S	14	1/2"	10	43.8	27
34.118.16SN06	S	16	3/8"	8	39.2	27
34.118.16SN08	S	16	1/2"	12	43.8	27
34.118.16SN12	S	16	3/4"	12	44.0	30
34.118.20SN08	S	20	1/2"	14	47.8	32
34.118.20SN12	S	20	3/4"	16	48.1	32
34.118.20SN16	S	20	1"	16	55.0	36
34.118.25SN12	S	25	3/4"	18	52.1	41
34.118.25SN16	S	25	1"	20	57.0	41
34.118.30SN16	S	30	1"	22	59.0	46
34.118.30SN20	S	30	1.1/4"	25	59.6	46
34.118.38SN24	S	38	1.1/2"	32	65.0	55

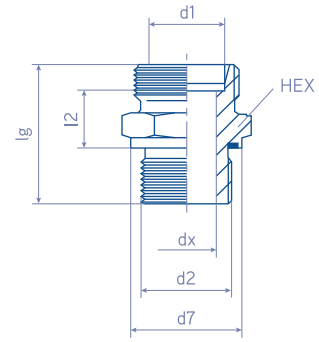
**MATERIAL:** Carbon Steel  
**FINISH:** : Chromium-(VI) Free plating

**COMPLETE:** With Double Edge Compression Ring and Tightening Nut (add an 'P' at the begin of REFERENCE)

**VERSIONS:** Stainless Steel (add an 'S' at the end of the REFERENCE)



# UNF Male Tube Connector



34.161.

ISO 8434-1 tube coupling and ISO 11926-2/3 Form-F UNF Thread

REFERENCE	serie	dimensions	dimensions	dimensions (mm)				
		(mm)	(UNF)	d7	dx	lg	l2	HEX
		Ø tube d1	thread d2					
34.161.06LU04	L	6	7/16"	15.8	4.0	25.2	9.0	17
34.161.08LU04	L	8	7/16"	15.8	5.0	26.2	10.0	17
34.161.10LU04	L	10	7/16"	15.8	5.0	28.2	12.0	17
34.161.10LU06	L	10	9/16"	17.7	7.0	28.0	11.0	19
34.161.12LU08	L	12	3/4"	23.0	9.0	30.7	12.5	24
34.161.12LU10	L	12	7/8"	27.0	10.0	32.7	13.0	27
34.161.15LU08	L	15	3/4"	23.0	11.0	32.2	14.0	24
34.161.15LU10	L	15	7/8"	27.0	11.0	33.7	14.0	27
34.161.18LU08	L	18	3/4"	23.0	12.0	33.2	14.5	27
34.161.18LU10	L	18	7/8"	27.0	14.0	34.7	14.5	27
34.161.22LU12	L	22	1.1/16"	32.0	18.0	39.0	16.5	32
34.161.22LU16	L	22	1.5/16"	38.1	18.0	39.0	16.5	41
34.161.28LU12	L	28	1.1/16"	32.0	18.0	40.0	17.5	41
34.161.28LU16	L	28	1.5/16"	38.1	23.0	40.0	17.4	41
34.161.35LU16	L	35	1.5/16"	39.0	23.0	43.0	17.5	46
34.161.35LU20	L	35	1.5/8"	48.0	30.0	43.0	17.5	50
34.161.42LU24	L	42	1.7/8"	54.0	36.0	45.0	19.0	55
34.161.06SU04	S	6	7/16"	15.8	4.0	29.2	13.0	17
34.161.08SU04	S	8	7/16"	15.8	4.0	31.2	15.0	17
34.161.10SU06	S	10	9/16"	17.7	7.0	32.5	15.0	19
34.161.10SU08	S	10	3/4"	23.0	7.0	33.7	15.0	24
34.161.12SU06	S	12	9/16"	17.7	7.0	34.5	17.5	22
34.161.12SU08	S	12	3/4"	23.0	8.0	36.2	17.5	24
34.161.14SU08	S	14	3/4"	23.0	10.0	38.2	19.0	24
34.161.16SU08	S	16	3/4"	23.0	12.0	38.2	18.5	27
34.161.16SU10	S	16	7/8"	27.0	12.0	37.5	15.0	30
34.161.16SU12	S	16	1.1/16"	32.0	12.0	42.0	18.5	32
34.161.20SU10	S	20	7/8"	27.0	12.0	43.7	20.5	32
34.161.20SU12	S	20	1.1/16"	32.0	16.0	46.0	20.5	32
34.161.25SU12	S	25	1.1/16"	32.0	16.0	50.0	23.0	41
34.161.25SU16	S	25	1.5/16"	38.1	20.0	50.0	23.0	41
34.161.30SU16	S	30	1.5/16"	32.0	16.0	52.0	23.5	46
34.161.30SU20	S	30	1.5/8"	48.0	25.0	52.0	23.5	50
34.161.38SU24	S	38	1.7/8"	54.0	32.0	57.0	26.0	55

**MATERIAL:** Carbon Steel  
**FINISH:** : Chromium-(VI) Free plating

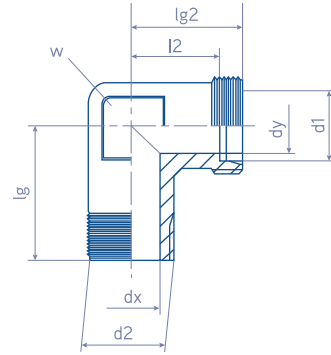
**COMPLETE:** With Double Edge Compression Ring and Tightening Nut (add an 'P' at the begin of REFERENCE)

**VERSIONS:** Stainless Steel (add an 'S' at the end of the REFERENCE)

# BSPT Tapered 90° Elbow Male Tube Connector

34.120.

ISO 8434-1 tube coupling and DIN 3852-2 Form-C BSPT Thread



REFERENCE	serie	dimensions (mm)	dimensions (inch)	dimensions (mm)					
		Ø tube d1	thread d2	dx	dy	lg	lg2	l2	w
34.120.06LR02	L	6	1/8"	4	4	20.0	19.0	12.0	12
34.120.06LR04	L	6	1/4"	7	4	26.0	14.0	14.0	14
34.120.08LR02	L	8	1/8"	4	6	26.0	21.0	14.0	14
34.120.08LR04	L	8	1/4"	6	6	26.0	21.0	14.0	14
34.120.08LR06	L	8	3/8"	8	6	28.0	22.0	15.0	19
34.120.10LR02	L	10	1/8"	4	7	25.0	22.0	15.0	17
34.120.10LR04	L	10	1/4"	7	8	27.0	22.0	15.0	17
34.120.10LR06	L	10	3/8"	7	7	28.0	23.0	16.0	19
34.120.10LR08	L	10	1/2"	11	7	34.0	27.0	20.0	19
34.120.12LR04	L	12	1/4"	7	9	28.0	24.0	17.0	19
34.120.12LR06	L	12	3/8"	9	10	28.0	24.0	17.0	19
34.120.12LR08	L	12	1/2"	11	9	34.0	27.0	20.0	19
34.120.15LR06	L	15	3/8"	9	11	32.0	28.0	21.0	19
34.120.15LR08	L	15	1/2"	11	12	34.0	28.0	21.0	19
34.120.18LR08	L	18	1/2"	14	15	36.0	31.0	23.5	24
34.120.18LR12	L	18	3/4"	18	15	42.0	35.0	27.5	27
34.120.22LR12	L	22	3/4"	18	19	42.0	27.5	27.5	27
34.120.06SR04	S	6	1/4"	4	4	26.0	23.0	16.0	14
34.120.08SR04	S	8	1/4"	5	5	17.0	24.0	17.0	17
34.120.10SR06	S	10	3/8"	7	7	28.0	25.0	17.5	19
34.120.12SR06	S	12	3/8"	8	8	28.0	29.0	21.5	22
34.120.12SR08	S	12	1/2"	11	8	34.0	29.0	21.5	19
34.120.14SR06	S	14	3/8"	8	10	30.0	30.0	22.0	19
34.120.14SR08	S	14	1/2"	10	10	32.0	30.0	22.0	19
34.120.16SR08	S	16	1/2"	12	12	32.0	33.0	24.5	24
34.120.20SR08	S	20	1/2"	12	16	40.0	37.0	26.5	27
34.120.20SR12	S	20	3/4"	16	16	42.0	37.0	26.5	27

**MATERIAL:** Carbon Steel  
**FINISH:** : Chromium-(VI) Free plating

**COMPLETE:** With Double Edge Compression Ring and Tightening Nut (add an 'P' at the begin of REFERENCE)

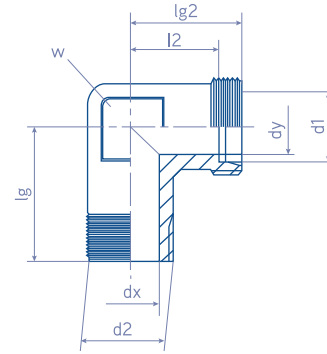
**VERSIONS:** Stainless Steel (add an 'S' at the end of the REFERENCE)



# NPT Tapered 90° Elbow Male Tube Connector

34.121.

ISO 8434-1 tube coupling and ANSI B1.20.3 NPT Thread



REFERENCE	serie	dimensions	dimensions	dimensions (mm)					
		(mm)	(inch)	dx	dy	lg	lg2	l2	w
		Ø tube d1	thread d2						
34.121.06LN02	L	6	1/8"	4	4	20.0	19.0	12.0	12
34.121.06LN04	L	6	1/4"	4	4	26.0	21.0	14.0	14
34.121.08LN04	L	8	1/4"	6	6	26.0	21.0	14.0	14
34.121.10LN04	L	10	1/4"	7	7	27.0	22.0	15.0	17
34.121.10LN06	L	10	3/8"	9	8	28.0	24.0	17.0	19
34.121.12LN04	L	12	1/4"	7	9	28.0	24.0	17.0	19
34.121.12LN06	L	12	3/8"	9	9	28.0	24.0	17.0	19
34.121.12LN08	L	12	1/2"	12	9	33.0	28.0	21.0	24
34.121.15LN08	L	15	1/2"	11	11	36.0	31.0	24.0	24
34.121.18LN08	L	18	1/2"	14	14	37.0	31.0	23.5	24
34.121.22LN12	L	22	3/4"	18	19	42.0	35.0	27.5	27
34.121.28LN16	L	28	1"	23	24	48.0	38.0	30.5	36
34.121.35LN20	L	35	1.1/4"	30	30	54.0	45.0	34.5	41
34.121.42LN24	L	42	1.1/2"	36	36	61.0	51.0	40.0	50
34.121.06SN04	S	6	1/4"	4	4	26.0	23.0	16.0	14
34.121.08SN04	S	8	1/4"	5	5	27.0	24.0	17.0	17
34.121.10SN06	S	10	3/8"	7	7	28.0	25.0	17.5	19
34.121.12SN06	S	12	3/8"	8	8	29.0	29.0	21.5	22
34.121.14SN08	S	14	1/2"	10	10	33.0	33.0	25.0	24
34.121.16SN08	S	16	1/2"	12	12	36.0	33.0	24.5	24
34.121.20SN12	S	20	3/4"	16	16	42.0	37.0	26.5	27
34.121.25SN16	S	25	1"	20	20	49.0	42.0	30.0	36
34.121.30SN20	S	30	1.1/4"	25	25	54.0	49.0	35.5	41
34.121.38SN24	S	38	1.1/2"	32	32	61.0	57.0	41.0	50

**MATERIAL:** Carbon Steel  
**FINISH:** : Chromium-(VI) Free plating

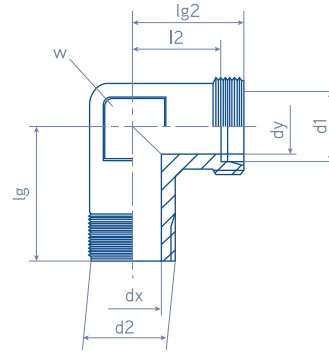
**COMPLETE:** With Double Edge Compression Ring and Tightening Nut (add an 'P' at the begin of REFERENCE)

**VERSIONS:** Stainless Steel (add an 'S' at the end of the REFERENCE)

# Metric 90° Elbow Male Tube Connector

34.124.

ISO 8434-1 tube coupling and DIN 3852-1 Form-C Metric Thread



REFERENCE	serie	dimensions (mm)	dimensions (inch)	dimensions (mm)					
		∅ tube d1	thread d2	dx	dy	lg	lg2	l2	w
34.124.06LM10	L	6	M10x1.0	4	4	20.0	19.0	12.0	12
34.124.08LM12	L	8	M12x1.5	6	6	26.0	21.0	14.0	14
34.124.10LM14	L	10	M14x1.5	7	8	27.0	22.0	15.0	17
34.124.12LM16	L	12	M16x1.5	9	10	28.0	24.0	17.0	19
34.124.12LM18	L	12	M18x1.5	11	12	32.0	28.0	21.0	19
34.124.15LM18	L	15	M18x1.5	14	15	36.0	31.0	23.5	24
34.124.06SM12	S	6	M12x1.5	4	4	26.0	23.0	16.0	14
34.124.08SM14	S	8	M14x1.5	5	5	27.0	24.0	17.0	17
34.124.10SM16	S	10	M16x1.5	7	7	28.0	25.0	17.5	19
34.124.12SM18	S	12	M18x1.5	8	8	28.0	29.0	21.5	22
34.124.14SM20	S	14	M20x1.5	10	10	32.0	30.0	22.0	19
34.124.16SM22	S	16	M22x1.5	12	12	32.0	33.0	24.5	24

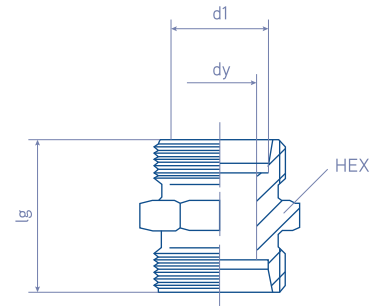
**MATERIAL:** Carbon Steel  
**FINISH:** : Chromium-(VI) Free plating

**COMPLETE:** With Double Edge Compression Ring and Tightening Nut (add an 'P' at the begin of REFERENCE)

**VERSIONS:** Stainless Steel (add an 'S' at the end of the REFERENCE)



# Straight Union Tube Connector



34.135.  
ISO 8434-1 tube coupling

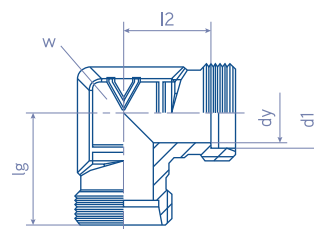
REFERENCE	serie	dimensions (mm)			
		Ø tube d1	dy	lg	HEX
34.135.06L	L	6	4	24.0	12
34.135.08L	L	8	6	25.0	14
34.135.10L	L	10	8	27.0	17
34.135.12L	L	12	10	28.0	19
34.135.15L	L	15	12	30.0	24
34.135.18L	L	18	15	31.0	27
34.135.22L	L	22	19	35.0	32
34.135.28L	L	28	24	36.0	41
34.135.35L	L	35	30	41.0	46
34.135.42L	L	42	36	43.0	55
34.135.06S	S	6	4	30.0	14
34.135.08S	S	8	5	32.0	17
34.135.10S	S	10	7	32.0	19
34.135.12S	S	12	8	34.0	22
34.135.14S	S	14	10	38.0	24
34.135.16S	S	16	12	38.0	27
34.135.20S	S	20	16	44.0	32
34.135.25S	S	25	20	50.0	41
34.135.30S	S	30	25	54.0	46
34.135.38S	S	38	32	61.0	55

**MATERIAL:** Carbon Steel  
**FINISH:** : Chromium-(VI) Free plating

**COMPLETE:** With Double Edge Compression Ring and Tightening Nut (add an 'P' at the begin of REFERENCE)

**VERSIONS:** Stainless Steel (add an 'S' at the end of the REFERENCE)

# 90° Elbow Union Tube Connector



34.138.

ISO 8434-1 tube coupling

REFERENCE	serie	dimensions (mm)				
		Ø tube d1	dy	lg	l2	w
34.138.06L	L	6	4	19.0	12.0	12
34.138.08L	L	8	6	21.0	14.0	14
34.138.10L	L	10	8	22.0	15.0	17
34.138.12L	L	12	10	24.0	17.0	19
34.138.15L	L	15	12	28.0	21.0	19
34.138.18L	L	18	15	31.0	23.5	24
34.138.22L	L	22	19	35.0	27.5	27
34.138.28L	L	28	24	38.0	30.5	36
34.138.35L	L	35	30	45.0	34.5	41
34.138.42L	L	42	36	51.0	40.0	50
34.138.06S	S	6	4	23.0	16.0	14
34.138.08S	S	8	5	24.0	17.0	17
34.138.10S	S	10	7	25.0	17.5	19
34.138.12S	S	12	8	29.0	21.5	22
34.138.14S	S	14	10	30.0	22.0	19
34.138.16S	S	16	12	33.0	24.5	24
34.138.20S	S	20	16	37.0	26.5	27
34.138.25S	S	25	20	42.0	30.0	36
34.138.30S	S	30	25	49.0	35.5	41
34.138.38S	S	38	32	57.0	41.0	50

**MATERIAL:** Carbon Steel  
**FINISH:** : Chromium-(VI) Free plating

**COMPLETE:** With Double Edge Compression Ring and Tightening Nut (add an 'P' at the begin of REFERENCE)

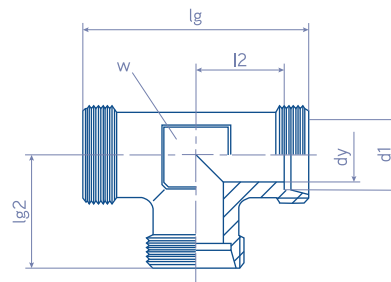
**VERSIONS:** Stainless Steel (add an 'S' at the end of the REFERENCE)



# Tee Union Tube Connector

34.139.

ISO 8434-1 tube coupling



REFERENCE	serie	dimensions (mm)					
		Ø tube d1	dy	lg	lg2	l2	w
34.139.06L	L	6	4	38.0	19.0	12.0	12
34.139.08L	L	8	6	42.0	21.0	14.0	14
34.139.10L	L	10	8	44.0	22.0	15.0	17
34.139.12L	L	12	10	48.0	24.0	17.0	19
34.139.15L	L	15	12	56.0	28.0	21.0	19
34.139.18L	L	18	15	62.0	31.0	23.5	24
34.139.22L	L	22	19	70.0	35.0	27.5	27
34.139.28L	L	28	24	76.0	38.0	30.5	36
34.139.35L	L	35	30	90.0	45.0	34.5	41
34.139.42L	L	42	36	102.0	51.0	40.0	50
34.139.06S	S	6	4	46.0	23.0	16.0	14
34.139.08S	S	8	5	48.0	24.0	17.0	17
34.139.10S	S	10	7	50.0	25.0	17.5	19
34.139.12S	S	12	8	58.0	29.0	21.5	22
34.139.14S	S	14	10	60.0	30.0	22.0	19
34.139.16S	S	16	12	66.0	33.0	24.5	24
34.139.20S	S	20	16	74.0	37.0	26.5	27
34.139.25S	S	25	20	84.0	42.0	30.0	36
34.139.30S	S	30	25	98.0	49.0	35.5	41
34.139.38S	S	38	32	114.0	57.0	41.0	50

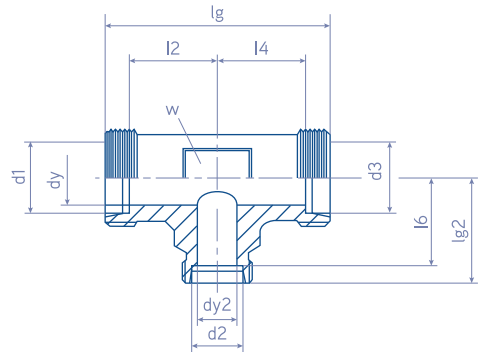
**MATERIAL:** Carbon Steel  
**FINISH:** : Chromium-(VI) Free plating

**COMPLETE:** With Double Edge Compression Ring and Tightening Nut (add an 'P' at the begin of REFERENCE)

**VERSIONS:** Stainless Steel (add an 'S' at the end of the REFERENCE)



# Tee Reducing Union Tube Connector



34.145.

ISO 8434-1 tube coupling

REFERENCE	serie	dimensions (mm)										
		$\emptyset$ tube d1	$\emptyset$ tube d1	$\emptyset$ tube d1	dy	dy2	lg	lg2	l2	l4	l6	w
34.145.0806L	L	6	8	6	4.0	6.0	42.0	21.0	14.0	14.0	14.0	14
34.145.1006L	L	6	10	6	4.0	8.0	44.0	22.0	15.0	15.0	15.0	17
34.145.0608L	L	8	6	8	6.0	4.0	42.0	21.0	14.0	14.0	14.0	14
34.145.1008L	L	8	10	8	6.0	8.0	44.0	22.0	15.0	15.0	15.0	17
34.145.1208L	L	8	12	8	6.0	10.0	48.0	24.0	17.0	17.0	17.0	19
34.145.0610L	L	10	6	10	8.0	4.0	44.0	22.0	15.0	15.0	15.0	17
34.145.0810L	L	10	8	10	8.0	6.0	44.0	22.0	15.0	15.0	15.0	17
34.145.1210L	L	10	12	10	8.0	10.0	48.0	24.0	17.0	17.0	17.0	19
34.145.1510L	L	10	15	10	8.0	11.0	56.0	28.0	21.0	21.0	21.0	19
34.145.0612L	L	12	6	12	10.0	4.0	48.0	24.0	17.0	17.0	17.0	19
34.145.0812L	L	12	8	12	10.0	6.0	48.0	24.0	17.0	17.0	17.0	19
34.145.1012L	L	12	10	12	10.0	8.0	48.0	24.0	21.0	17.0	17.0	19
34.145.1512L	L	12	15	12	10.0	12.0	56.0	28.0	21.0	21.0	21.0	19
34.145.1812L	L	12	18	12	10.0	15.0	62.0	31.0	24.0	24.0	24.0	24
34.145.2212L	L	12	22	12	10.0	19.0	70.0	35.0	28.0	28.0	28.0	27
34.145.1015L	L	15	10	15	12.0	8.0	56.0	28.0	21.0	21.0	21.0	19
34.145.1215L	L	15	12	15	12.0	10.0	56.0	28.0	21.0	21.0	21.0	19
34.145.1815L	L	15	18	15	12.0	15.0	62.0	31.0	24.0	24.0	24.0	24
34.145.2215L	L	15	22	15	12.0	19.0	70.0	35.0	28.0	28.0	27.5	27
34.145.1018L	L	18	10	18	15.0	8.0	62.0	31.0	23.5	23.5	24.0	24
34.145.1218L	L	18	12	18	15.0	10.0	62.0	31.0	23.5	23.5	24.0	24
34.145.1518L	L	18	15	18	15.0	12.0	62.0	31.0	23.5	23.5	24.0	24
34.145.2218L	L	18	22	18	15.0	19.0	70.0	35.0	27.5	27.5	27.5	27
34.145.1222L	L	22	12	22	19.0	10.0	70.0	35.0	27.5	27.5	28.0	27
34.145.1522L	L	22	15	22	19.0	12.0	70.0	35.0	27.5	27.5	28.0	27
34.145.1822L	L	22	18	22	19.0	15.0	70.0	35.0	27.5	27.5	27.5	27
34.145.2822L	L	22	28	22	19.0	24.0	76.0	38.0	30.5	30.5	30.5	36
34.145.1528L	L	28	15	28	24.0	12.0	76.0	38.0	30.5	30.5	31.0	36
34.145.1828L	L	28	18	28	24.0	15.0	76.0	38.0	30.5	30.5	30.5	36
34.145.2228L	L	28	22	28	24.0	19.0	76.0	38.0	30.5	30.5	30.5	36



REFERENCE	serie	dimensions (mm)										
		Ø tube d1	Ø tube d1	Ø tube d1	dy	dy2	lg	lg2	l2	l4	l6	w
34.145.3528L	L	28	35	28	24.0	30.0	90.0	45.0	37.5	37.5	34.5	41
34.145.4228L	L	28	42	28	24.0	36.0	102.0	51.0	43.5	43.5	40.0	50
34.145.3835L	L	35	28	35	30.0	24.0	90.0	45.0	34.5	34.5	37.5	41
34.145.4235L	L	35	42	35	30.0	36.0	102.0	51.0	40.5	40.5	40.0	50
34.145.2242L	L	42	22	42	36.0	19.0	102.0	51.0	40.0	40.0	43.5	50
34.145.2842L	L	42	28	42	36.0	24.0	102.0	51.0	40.0	40.0	43.5	50
34.145.0610S	S	10	6	10	7.0	4.0	50.0	25.0	17.5	17.5	18.0	19
34.145.0812S	S	12	8	12	8.0	5.0	58.0	29.0	21.5	21.5	22.0	22
34.145.1012S	S	12	10	12	8.0	7.0	58.0	19.0	21.5	21.5	21.5	22
34.145.1612S	S	12	16	12	8.0	12.0	66.0	33.0	24.5	24.5	24.5	24
34.145.0816S	S	16	8	16	12.0	5.0	66.0	33.0	24.5	24.5	26.0	24
34.145.1016S	S	16	10	16	12.0	7.0	66.0	33.0	24.5	24.5	25.5	24
34.145.1216S	S	16	12	16	12.0	8.0	66.0	33.0	24.5	24.5	25.5	24
34.145.2016S	S	16	20	16	12.0	16.0	74.0	37.0	28.5	28.5	26.5	27
34.145.1020S	S	20	10	20	16.0	7.0	74.0	37.0	26.5	26.5	29.5	27
34.145.1220S	S	20	12	20	16.0	8.0	74.0	37.0	26.5	26.5	29.5	27
34.145.1620S	S	20	16	20	16.0	12.0	74.0	37.0	26.5	26.5	28.5	27
34.145.2520S	S	20	25	20	16.0	20.0	84.0	42.0	31.5	31.5	30.0	36
34.145.1225S	S	25	12	25	20.0	8.0	84.0	42.0	30.0	30.0	34.5	36
34.145.1625S	S	25	16	25	20.0	12.0	84.0	42.0	30.0	30.0	33.5	36
34.145.1825S	S	25	18	25	20.0	15.0	84.0	42.0	30.0	30.0	34.5	36
34.145.2025S	S	25	20	25	20.0	16.0	84.0	42.0	30.0	30.0	31.5	36
34.145.3025S	S	25	30	25	20.0	25.0	98.0	49.0	37.0	37.0	35.5	41
34.145.1630S	S	30	16	30	25.0	12.0	98.0	49.0	35.5	35.5	40.5	41
34.145.2030S	S	30	20	30	25.0	16.0	98.0	49.0	35.5	35.5	38.5	41
34.145.1638S	S	38	16	38	32.0	12.0	114.0	57.0	41.0	41.0	48.5	50
34.145.2538S	S	38	25	38	32.0	20.0	114.0	57.0	41.0	41.0	45.0	50

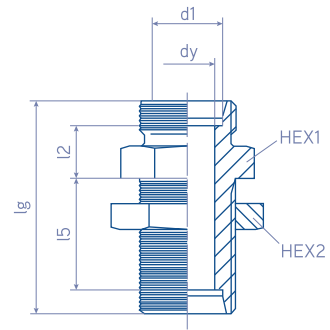
**MATERIAL:** Carbon Steel  
**FINISH:** : Chromium-(VI) Free plating

**COMPLETE:** With Double Edge Compression Ring and Tightening Nut (add an 'P' at the begin of REFERENCE)

**VERSIONS:** Stainless Steel (add an 'S' at the end of the REFERENCE)

# Straight Bulkhead Union Tube Connector

34.136.  
ISO 8434-1 tube coupling



REFERENCE	serie	dimensions (mm)						
		Ø tube d1	dy	lg	l2	l5	HEX 1	HEX 2
34.136.06L M12	L	6	4	48.0	7.0	27.0	17	17
34.136.08L M14	L	8	6	49.0	8.0	27.0	19	19
34.136.10L M16	L	10	8	52.0	10.0	28.0	22	22
34.136.12L M18	L	12	10	53.0	10.0	29.0	24	24
34.136.15L M22	L	15	12	57.0	12.0	31.0	27	27
34.136.18L M26	L	18	15	61.0	13.5	32.5	32	32
34.136.22L M30	L	22	19	66.0	16.5	34.5	36	36
34.136.28L M36	L	28	24	69.0	18.5	35.5	41	41
34.136.35L M45	L	35	30	76.0	18.5	36.5	50	50
34.136.42L M52	L	42	36	77.0	19.0	36.0	60	60
34.136.06S M14	S	6	4	55.0	12.0	29.0	19	19
34.136.08S M16	S	8	5	56.0	13.0	29.0	22	22
34.136.10S M18	S	10	7	59.0	14.5	29.5	24	24
34.136.12S M20	S	12	8	60.0	14.5	30.5	27	27
34.136.14S M22	S	14	10	65.0	17.0	32.0	30	30
34.136.16S M24	S	16	12	65.0	16.5	31.5	32	32
34.136.20S M30	S	20	16	72.0	17.5	33.5	41	41
34.136.25S M36	S	25	20	79.0	20.0	35.0	46	46
34.136.30S M42	S	30	25	86.0	21.5	37.5	50	50
34.136.38S M52	S	38	32	91.0	22.0	37.0	65	65

**MATERIAL:** Carbon Steel  
**FINISH:** : Chromium-(VI) Free plating

**COMPLETE:** With Double Edge Compression Ring and Tightening Nut (add an 'P' at the begin of REFERENCE)

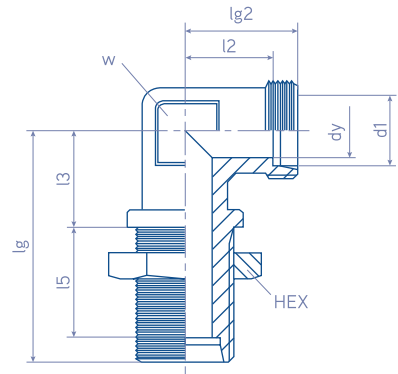
**VERSIONS:** Stainless Steel (add an 'S' at the end of the REFERENCE)



# 90° Elbow Bulkhead Union Tube Connector

34.137.

ISO 8434-1 tube coupling



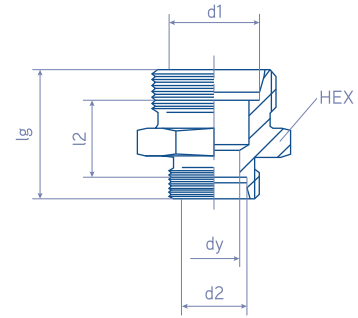
REFERENCE	serie	dimensions (mm)								
		Ø tube d1	dy	lg	lg2	l2	l3	l5	W	HEX
34.137.06L	L	6	4	48.0	19.0	12.0	14.0	27.0	12	17
34.137.08L	L	8	6	51.0	21.0	14.0	17.0	27.0	12	19
34.137.10L	L	10	8	53.0	22.0	15.0	18.0	28.0	14	22
34.137.12L	L	12	10	56.0	24.0	17.0	20.0	29.0	17	24
34.137.15L	L	15	12	61.0	28.0	21.0	23.0	31.0	19	30
34.137.18L	L	18	15	64.0	31.0	23.5	24.0	32.5	24	36
34.137.22L	L	22	19	72.0	35.0	27.5	30.0	34.5	27	41
34.137.28L	L	28	24	77.0	38.0	30.5	34.0	35.5	36	46
34.137.35L	L	35	30	86.0	45.0	34.5	39.0	36.5	41	55
34.137.42L	L	42	36	90.0	51.0	40.0	43.0	36.0	50	65
34.137.06S	S	6	4	53.0	23.0	16.0	17.0	29.0	12	19
34.137.08S	S	8	5	54.0	24.0	17.0	18.0	29.0	14	22
34.137.10S	S	10	7	57.0	25.0	17.5	20.0	29.5	17	24
34.137.12S	S	12	8	59.0	29.0	21.5	21.0	30.5	17	27
34.137.14S	S	14	10	63.0	30.0	22.0	23.0	32.0	19	30
34.137.16S	S	16	12	64.0	33.0	24.5	24.0	31.5	24	32
34.137.20S	S	20	16	74.0	37.0	26.5	30.0	33.5	27	41
34.137.25S	S	25	20	81.0	42.0	30.0	34.0	35.0	36	46
34.137.30S	S	30	25	90.0	49.0	35.5	39.0	37.5	41	50
34.137.38S	S	38	32	96.0	57.0	41.0	43.0	37.0	50	65

**MATERIAL:** Carbon Steel  
**FINISH:** : Chromium-(VI) Free plating

**COMPLETE:** With Double Edge Compression Ring and Tightening Nut (add an 'P' at the begin of REFERENCE)

**VERSIONS:** Stainless Steel (add an 'S' at the end of the REFERENCE)

# Straight Reducing Union Tube Connector



34.141.

ISO 8434-1 tube coupling

REFERENCE	serie	dimensions (mm)	dimensions (mm)	dimensions (mm)			
		Ø tube d1	Ø tube d2	dy	lg	l2	HEX
34.141.0806L	L	8	6	4	25.0	11.0	14
34.141.1006L	L	10	6	4	26.0	12.0	17
34.141.1008L	L	10	8	6	26.0	12.0	17
34.141.1206L	L	12	6	4	27.0	13.0	19
34.141.1208L	L	12	8	6	27.0	13.0	19
34.141.1210L	L	12	10	8	28.0	14.0	19
34.141.1510L	L	15	10	8	29.0	15.0	24
34.141.1512L	L	15	12	10	29.0	15.0	24
34.141.1810L	L	18	10	8	30.0	15.5	27
34.141.1812L	L	18	12	10	30.0	15.5	27
34.141.1815L	L	18	15	12	31.0	16.5	27
34.141.2215L	L	22	15	12	33.0	18.5	32
34.141.2218L	L	22	18	15	33.0	18.0	32
34.141.2818L	L	28	18	15	34.0	19.0	41
34.141.2822L	L	28	22	19	36.0	21.0	41
34.141.3522L	L	35	22	19	39.0	21.0	46
34.141.3528L	L	35	28	24	39.0	21.0	46
35.141.4228L	L	42	28	24	41.0	22.5	55
35.141.4235L	L	42	35	30	43.0	21.5	55
34.141.0806S	S	8	6	4	32.0	18.0	17
34.141.1006S	S	10	6	4	32.0	17.5	19
34.141.1008S	S	10	8	8	32.0	17.5	19
34.141.1206S	S	12	6	4	34.0	19.5	22
34.141.1208S	S	12	8	5	34.0	19.5	22
34.141.1210S	S	12	10	7	34.0	19.0	22
34.141.1410S	S	14	10	7	36.0	20.5	24
34.141.1412S	S	14	12	8	36.0	20.5	24
34.141.1612S	S	16	12	8	36.0	20.0	27
34.141.1614S	S	16	14	10	38.0	21.5	27
34.141.2010S	S	20	10	7	40.0	22.0	32
34.141.2012S	S	20	12	8	40.0	22.0	32
34.141.2016S	S	20	16	12	42.0	23.0	32
34.141.2516S	S	25	16	12	47.0	26.5	41
34.141.2520S	S	25	20	16	48.0	25.5	41
34.141.3020S	S	30	20	16	50.0	26.0	46
34.141.3025S	S	30	25	20	52.0	26.5	46
34.141.3830S	S	38	30	25	59.0	29.5	55

**MATERIAL:** Carbon Steel  
**FINISH:** : Chromium-(VI) Free plating

**COMPLETE:** With Double Edge Compression Ring and Tightening Nut (add an 'P' at the begin of REFERENCE)

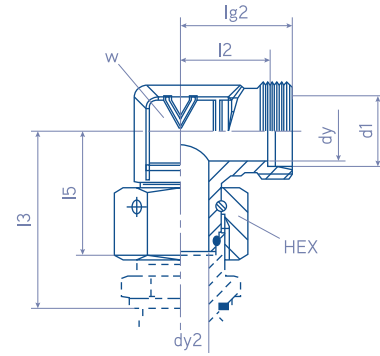
**VERSIONS:** Stainless Steel (add an 'S' at the end of the REFERENCE)



# Swivel 90° Elbow Adjustable Tube Connector

34.642.

ISO 8434-1 tube coupling



REFERENCE	serie	dimensions (mm)								
		Ø tube d1	dy	dy2	lg2	l2	l3	l5	w	HEX
34.642.06LM12	L	6	4	2.5	19.0	12.0	34.5	26.0	12	14
34.642.08LM14	L	8	6	4.0	21.0	14.0	37.5	27.5	14	17
34.642.10LM16	L	10	8	6.0	22.0	15.0	40.0	29.0	14	19
34.642.12LM18	L	12	10	8.0	24.0	17.0	42.0	29.5	17	22
34.642.15LM22	L	15	12	10.0	28.0	21.0	46.0	32.5	19	27
34.642.18LM26	L	18	15	13.0	31.0	23.5	50.0	35.5	24	32
34.642.22LM30	L	22	19	17.0	35.0	27.5	55.0	38.5	27	36
34.642.28LM36	L	28	24	22.0	38.0	30.5	59.0	41.5	36	41
34.642.35LM45	L	35	30	28.0	45.0	34.5	68.5	51.0	41	50
34.642.42LM52	L	42	36	34.0	51.0	40.0	75.0	56.0	50	60
34.642.06SM14	S	6	4	2.5	23.0	16.0	40.0	27.0	14	17
34.642.08SM16	S	8	5	4.0	24.0	17.0	42.5	27.5	17	19
34.642.10SM18	S	10	7	6.0	25.0	17.5	45.0	30.0	19	22
34.642.12SM20	S	12	8	8.0	29.0	21.5	48.0	31.5	17	24
34.642.14SM22	S	14	10	9.0	30.0	22.0	54.0	35.0	19	27
34.642.16SM24	S	16	12	11.0	33.0	24.5	55.0	36.5	24	30
34.642.20SM30	S	20	16	14.0	37.0	26.5	65.0	44.5	27	36
34.642.25SM36	S	25	20	18.0	42.0	30.0	73.0	50.0	36	46
34.642.30SM42	S	30	25	23.0	49.0	35.5	78.5	55.0	41	50
34.642.38SM52	S	38	32	30.0	57.0	41.0	89.0	63.0	50	60

**MATERIAL:** Carbon Steel  
**FINISH:** : Chromium-(VI) Free plating

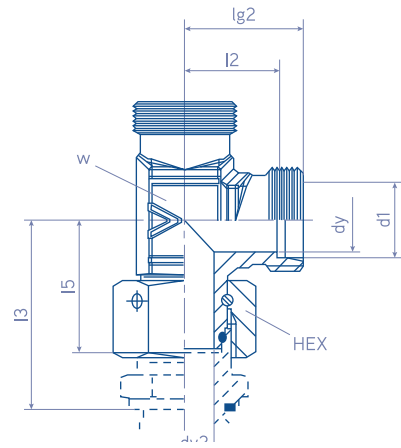
**COMPLETE:** With Double Edge Compression Ring and Tightening Nut (add an 'P' at the begin of REFERENCE)

**VERSIONS:** Stainless Steel (add an 'S' at the end of the REFERENCE)

# Swivel Run Tee Adjustable Tube Connector

34.646.

ISO 8434-1 tube coupling



REFERENCE	serie	dimensions (mm)								
		Ø tube d1	dy	dy2	lg2	l2	l3	l5	w	HEX
34.646.06LM12	L	6	4	2.5	19.0	12.0	34.5	26.0	12	14
34.646.08LM14	L	8	6	4.0	21.0	14.0	37.5	27.5	14	17
34.646.10LM16	L	10	8	6.0	22.0	15.0	40.0	29.0	14	19
34.646.12LM18	L	12	10	8.0	24.0	17.0	42.0	29.5	17	22
34.646.15LM22	L	15	12	10.0	28.0	21.0	46.0	32.5	19	27
34.646.18LM26	L	18	15	13.0	31.0	23.5	50.0	35.5	24	32
34.646.22LM30	L	22	19	17.0	35.0	27.5	55.0	38.5	27	36
34.646.28LM36	L	28	24	22.0	38.0	30.5	59.0	41.5	36	41
34.646.35LM45	L	35	30	28.0	45.0	34.5	68.5	51.0	41	50
34.646.42LM52	L	42	36	34.0	51.0	40.0	75.0	56.0	50	60
34.646.06SM14	S	6	4	2.5	23.0	16.0	40.0	27.0	14	17
34.646.08SM16	S	8	5	4.0	24.0	17.0	42.5	27.5	17	19
34.646.10SM18	S	10	7	6.0	25.0	17.5	45.0	30.0	19	22
34.646.12SM20	S	12	8	8.0	29.0	21.5	48.0	31.5	17	24
34.646.14SM22	S	14	10	9.0	30.0	22.0	54.0	35.0	19	27
34.646.16SM24	S	16	12	11.0	33.0	24.5	55.0	36.5	24	30
34.646.20SM30	S	20	16	14.0	37.0	26.5	65.0	44.5	27	36
34.646.25SM36	S	25	20	18.0	42.0	30.0	73.0	50.0	36	46
34.646.30SM42	S	30	25	23.0	49.0	35.5	78.5	55.0	41	50
34.646.38SM52	S	38	32	30.0	57.0	41.0	89.0	63.0	50	60

**MATERIAL:** Carbon Steel  
**FINISH:** : Chromium-(VI) Free plating

**COMPLETE:** With Double Edge Compression Ring and Tightening Nut (add an 'P' at the begin of REFERENCE)

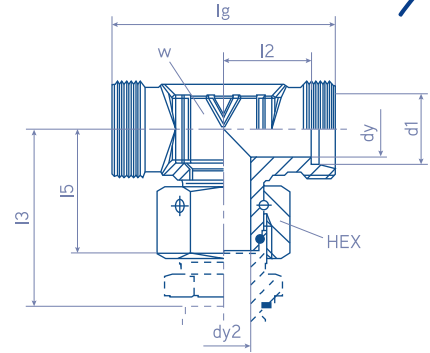
**VERSIONS:** Stainless Steel (add an 'S' at the end of the REFERENCE)



# Swivel Branch Tee Adjustable Tube Connector

34.650.

ISO 8434-1 tube coupling



REFERENCE	serie	dimensions (mm)								
		Ø tube d1	dy	dy2	lg	l2	l3	l5	w	HEX
34.650.06LM12	L	6	4	2.5	38.0	12.0	34.5	26.0	12	14
34.650.08LM14	L	8	6	4.0	42.0	14.0	37.5	27.5	14	17
34.650.10LM16	L	10	8	6.0	44.0	15.0	40.0	29.0	14	19
34.650.12LM18	L	12	10	8.0	48.0	17.0	42.0	29.5	17	22
34.650.15LM22	L	15	12	10.0	56.0	21.0	46.0	32.5	19	27
34.650.18LM26	L	18	15	13.0	62.0	23.5	50.0	35.5	24	32
34.650.22LM30	L	22	19	17.0	70.0	27.5	55.0	38.5	27	36
34.650.28LM36	L	28	24	22.0	76.0	30.5	59.0	41.5	36	41
34.650.35LM45	L	35	30	28.0	90.0	34.5	68.5	51.0	41	50
34.650.42LM52	L	42	36	34.0	102.0	40.0	75.0	56.0	50	60
34.650.06SM14	S	6	4	2.5	46.0	16.0	40.0	27.0	14	17
34.650.08SM16	S	8	5	4.0	48.0	17.0	42.5	27.5	17	19
34.650.10SM18	S	10	7	6.0	50.0	17.5	45.0	30.0	19	22
34.650.12SM20	S	12	8	8.0	58.0	21.5	48.0	31.5	17	24
34.650.14SM22	S	14	10	9.0	60.0	22.0	54.0	35.0	19	27
34.650.16SM24	S	16	12	11.0	66.0	24.5	55.0	36.5	24	30
34.650.20SM30	S	20	16	14.0	74.0	26.5	65.0	44.5	27	36
34.650.25SM36	S	25	20	18.0	84.0	30.0	73.0	50.0	36	46
34.650.30SM42	S	30	25	23.0	98.0	35.5	78.5	55.0	41	50
34.650.38SM52	S	38	32	30.0	114.0	41.0	89.0	63.0	50	60

**MATERIAL:** Carbon Steel  
**FINISH:** : Chromium-(VI) Free plating

**COMPLETE:** With Double Edge Compression Ring and Tightening Nut (add an 'P' at the begin of REFERENCE)

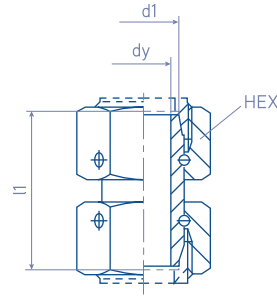
**VERSIONS:** Stainless Steel (add an 'S' at the end of the REFERENCE)



# Metric Swivel Tube Connector

34.635.

ISO 8434-1 tube coupling



REFERENCE	serie	dimensions (mm)			
		Ø tube d1	dy	l1	HEX
34.635.06L	L	6	2.5	39.0	14
34.635.08L	L	8	4.5	39.5	17
34.635.10L	L	10	6.0	39.5	19
34.635.12L	L	12	8.0	39.5	22
34.635.15L	L	15	10.0	42.5	27
34.635.18L	L	18	13.0	45.0	32
34.635.22L	L	22	17.0	49.5	36
34.635.28L	L	28	22.0	51.5	41
34.635.35L	L	35	28.0	61.0	50
34.635.42L	L	42	34.0	62.5	60
34.635.06S	S	6	2.5	40.5	17
34.635.08S	S	8	4.0	40.5	19
34.635.10S	S	10	6.0	43.5	22
34.635.12S	S	12	8.0	44.0	24
34.635.14S	S	14	9.0	48.5	27
34.635.16S	S	16	11.0	49.0	30
34.635.20S	S	20	14.0	60.5	36
34.635.25S	S	25	18.0	67.5	46
34.635.30S	S	30	23.0	72.5	50
34.635.38S	S	38	30.0	83.0	60

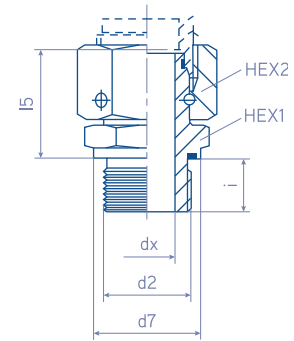
**MATERIAL:** Carbon Steel

**FINISH:** : Chromium-(VI) Free plating

**VERSIONS:** Stainless Steel (add an 'S' at the end of the REFERENCE)



# BSP Male Swivel Tube Connector



34.605.

ISO 8434-1 tube coupling and DIN ISO 1179-2 Form-E BSP Thread

REFERENCE	serie	dimensions (mm)						
		Ø tube d1	d2	d7	dx	I5	HEX 1	HEX 2
34.605.06LR02	L	6	1/8"	13.9	2.5	24.5	14	17
34.605.08LR04	L	8	1/4"	18.9	4.5	29.5	19	17
34.605.10LR04	L	10	1/4"	18.9	6.0	27.5	19	19
34.605.12LR06	L	12	3/8"	21.9	8.0	34.0	22	22
34.605.15LR08	L	15	1/2"	26.9	10.0	32.0	27	27
34.605.18LR08	L	18	1/2"	26.9	13.0	31.5	27	32
34.605.22LR12	L	22	3/4"	31.9	17.0	32.5	32	36
34.605.28LR16	L	28	1"	39.9	22.0	35.0	41	41
34.605.35LR20	L	35	1 1/4"	49.9	28.0	42.5	50	50
34.605.42LR24	L	42	1 1/2"	54.9	34.0	46.5	55	60
34.605.06SR04	S	6	1/4"	18.9	2.5	27.0	19	17
34.605.08SR04	S	8	1/4"	18.9	4.0	29.5	19	19
34.605.10SR06	S	10	3/8"	21.9	6.0	32.0	22	22
34.605.12SR06	S	12	3/8"	21.9	8.0	34.0	22	24
34.605.14SR08	S	14	1/2"	26.9	9.0	36.5	27	27
34.605.16SR08	S	16	1/2"	26.9	11.0	37.0	27	30
34.605.20SR12	S	20	3/4"	31.9	14.0	43.0	32	36
34.605.25SR16	S	25	1"	39.9	18.0	48.0	41	46
34.605.30SR20	S	30	1 1/4"	49.9	23.0	51.0	50	50
34.605.38SR24	S	38	1 1/2"	54.9	30.0	60.0	55	60

**MATERIAL:** Carbon Steel

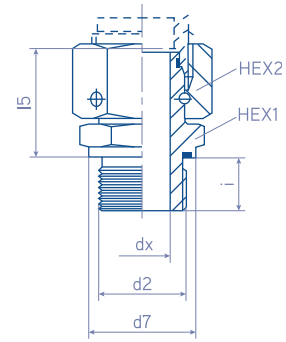
**FINISH:** : Chromium-(VI) Free plating

**VERSIONS:** Stainless Steel (add an 'S' at the end of the REFERENCE)

# BSP Male Swivel Tube Connector

34.606.

ISO 8434-1 tube coupling and DIN ISO 1179-2 Form-E BSP Thread



REFERENCE	serie	dimensions (mm)							
		Ø tube d1	d2	d7	dx	L5	HEX 1	HEX 2	
34.606.06LM10	L	6	M10x1.0	13.9	2.5	24.5	14	14	
34.606.08LM12	L	8	M12x1.5	16.9	4.5	26.5	17	17	
34.606.10LM14	L	10	M14x1.5	18.9	6.0	27.5	19	19	
34.606.12LM16	L	12	M16x1.5	21.9	8.0	30.5	22	22	
34.606.15LM18	L	15	M18x1.5	23.9	10.0	31.5	24	27	
34.606.18LM22	L	18	M22x1.5	26.9	13.0	31.5	27	32	
34.606.22LM26	L	22	M26x1.5	31.9	17.0	32.5	32	36	
34.606.28LM33	L	28	M33x2.0	39.9	22.0	35.0	41	41	
34.606.35LM42	L	35	M42x2.0	49.9	28.0	42.5	50	50	
34.606.42LM48	L	42	M48x2.0	54.9	34.0	46.5	55	60	
34.606.06SM12	S	6	M12x1.5	16.9	2.5	27.0	19	17	
34.606.08SM14	S	8	M14x1.5	18.9	4.0	29.5	19	19	
34.606.10SM16	S	10	M16x1.5	21.9	6.0	32.0	22	22	
34.606.12SM18	S	12	M18x1.5	23.9	8.0	34.0	24	24	
34.606.14SM20	S	14	M20x1.5	25.9	9.0	36.5	27	27	
34.606.16SM22	S	16	M22x1.5	26.9	11.0	37.0	27	30	
34.606.20SM27	S	20	M27x2.0	31.9	14.0	43.0	32	36	
34.606.25SM33	S	25	M33x2.0	39.9	18.0	48.0	41	46	
34.606.30SM42	S	30	M42x2.0	49.9	23.0	51.0	50	50	
34.606.38SM48	S	38	M48x2.0	54.0	30.0	60.0	55	60	

**MATERIAL:** Carbon Steel

**FINISH:** : Chromium-(VI) Free plating

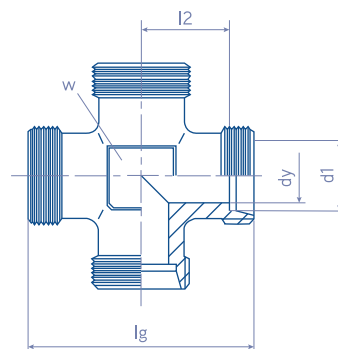
**VERSIONS:** Stainless Steel (add an 'S' at the end of the REFERENCE)



# Cross Union Tube Connector

34.140.

ISO 8434-1 tube coupling



REFERENCE	serie	dimensions (mm)				
		Ø tube d1	dy	lg	l2	w
34.140.06L	L	6	4.0	38.0	12.0	12
34.140.08L	L	8	6.0	42.0	14.0	12
34.140.10L	L	10	8.0	44.0	15.0	14
34.140.12L	L	12	10.0	48.0	17.0	17
34.140.15L	L	15	12.0	56.0	21.0	19
34.140.18L	L	18	15.0	62.0	23.5	24
34.140.22L	L	22	19.0	70.0	27.5	27
34.140.28L	L	28	24.0	76.0	30.5	36
34.140.35L	L	35	30.0	90.0	34.5	41
34.140.42L	L	42	36.0	102.0	40.0	50
34.140.06S	S	6	4.0	46.0	16.0	12
34.140.08S	S	8	5.0	48.0	17.0	14
34.140.10S	S	10	7.0	50.0	17.5	17
34.140.12S	S	12	8.0	58.0	21.5	17
34.140.14S	S	14	10.0	60.0	22.0	19
34.140.16S	S	16	12.0	66.0	24.5	24
34.140.20S	S	20	16.0	74.0	26.5	27
34.140.25S	S	25	20.0	84.0	30.0	36
34.140.30S	S	30	25.0	98.0	35.5	41
34.140.38S	S	38	32.0	114.0	41.0	50

**MATERIAL:** Carbon Steel  
**FINISH:** : Chromium-(VI) Free plating

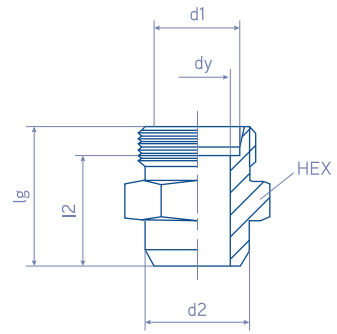
**COMPLETE:** With Double Edge Compression Ring and Tightening Nut (add an 'P' at the begin of REFERENCE)

**VERSIONS:** Stainless Steel (add an 'S' at the end of the REFERENCE)

# Straight Welding Tube Connector

34.155.

ISO 8434-1 tube coupling



REFERENCE	serie	dimensions (mm)					
		Ø tube d1	d2	dy	lg	l2	HEX
34.155.06L	L	6	10.0	4.0	21.0	14.0	12
34.155.08L	L	8	12.0	6.0	23.0	16.0	14
34.155.10L	L	10	14.0	8.0	25.0	16.0	17
34.155.12L	L	12	16.0	10.0	25.0	18.0	19
34.155.15L	L	15	19.0	12.0	29.0	22.0	22
34.155.18L	L	18	22.0	15.0	31.0	23.5	27
34.155.22L	L	22	27.0	19.0	36.0	28.5	32
34.155.28L	L	28	32.0	24.0	38.0	30.5	41
34.155.35L	L	35	40.0	30.0	43.0	32.5	46
34.155.42L	L	42	46.0	36.0	46.0	35.0	55
34.155.06S	S	6	11.0	4.0	26.0	19.0	14
34.155.08S	S	8	13.0	5.0	28.0	21.0	17
34.155.10S	S	10	15.0	7.0	30.0	22.5	19
34.155.12S	S	12	17.0	8.0	32.0	24.5	22
34.155.14S	S	14	19.0	10.0	35.0	27.0	24
34.155.16S	S	16	21.0	12.0	35.0	26.5	27
34.155.20S	S	20	26.0	16.0	40.0	29.5	32
34.155.25S	S	25	31.0	20.0	44.0	32.0	41
34.155.30S	S	30	36.0	25.0	49.0	35.5	46
34.155.38S	S	38	44.0	32.0	54.0	38.0	55

**MATERIAL:** Carbon Steel  
**FINISH:** : Chromium-(VI) Free plating

**COMPLETE:** With Double Edge Compression Ring and Tightening Nut (add an 'P' at the begin of REFERENCE)

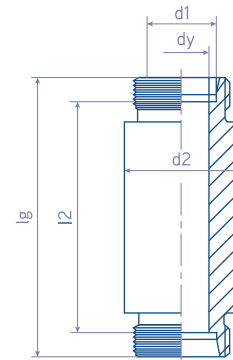
**VERSIONS:** Stainless Steel (add an 'S' at the end of the REFERENCE)



# Bulkhead Welding Tube Connector

34.156.

ISO 8434-1 tube coupling



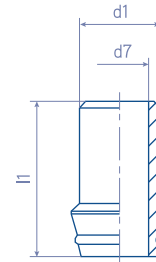
REFERENCE	serie	dimensions (mm)				
		Ø tube d1	d2	dy	lg	l2
34.156.06L	L	6	18.0	4.0	70.0	56.0
34.156.08L	L	8	20.0	6.0	70.0	56.0
34.156.10L	L	10	22.0	8.0	72.0	58.0
34.156.12L	L	12	25.0	10.0	72.0	58.0
34.156.15L	L	15	28.0	12.0	84.0	70.0
34.156.18L	L	18	32.0	15.0	84.0	69.0
34.156.22L	L	22	36.0	19.0	88.0	73.0
34.156.28L	L	28	40.0	24.0	88.0	73.0
34.156.35L	L	35	50.0	30.0	92.0	71.0
34.156.42L	L	42	60.0	36.0	92.0	70.0
34.156.06S	S	6	20.0	4.0	74.0	60.0
34.156.08S	S	8	22.0	5.0	74.0	60.0
34.156.10S	S	10	25.0	7.0	74.0	59.0
34.156.12S	S	12	28.0	8.0	74.0	59.0
34.156.14S	S	14	30.0	10.0	88.0	72.0
34.156.16S	S	16	35.0	12.0	88.0	71.0
34.156.20S	S	20	38.0	16.0	92.0	71.0
34.156.25S	S	25	45.0	20.0	96.0	72.0
34.156.30S	S	30	50.0	25.0	100.0	73.0
34.156.38S	S	38	60.0	32.0	104.0	72.0

**MATERIAL:** Carbon Steel  
**FINISH:** : Chromium-(VI) Free plating

**COMPLETE:** With Double Edge Compression Ring and Tightening Nut (add an 'P' at the begin of REFERENCE)

**VERSIONS:** Stainless Steel (add an 'S' at the end of the REFERENCE)

# Welding Nipple With O-ring



34.157.

ISO 8434-1 tube coupling

REFERENCE	serie	dimensions (mm)			
		Ø tube d1	d7	l1	l2
34.157.06LS	L/S	6	3.0	31.0	31.5
34.157.08LS	L/S	8	5.0	31.0	31.5
34.157.10LS	L/S	10	8.0	32.5	33.5
34.157.12LS	L/S	12	9.0	32.5	33.5
34.157.15L	L	15	11.0	34.5	34.5
34.157.18L	L	18	13.0	36.0	37.0
34.157.22L	L	22	17.0	38.5	39.5
34.157.28L	L	28	23.0	41.5	42.5
34.157.35L	L	35	28.0	47.5	49.5
34.157.42L	L	42	36.0	47.5	50.0
34.157.14S	S	6	10.0	38.5	39.5
34.157.16S	S	8	13.0	39.0	41.0
34.157.20S	S	10	16.0	45.0	47.0
34.157.25S	S	12	20.0	50.0	53.5
34.157.30S	S	14	24.0	52.0	57.0
34.157.38S	S	16	32.0	56.5	64.0

**MATERIAL:** Carbon Steel

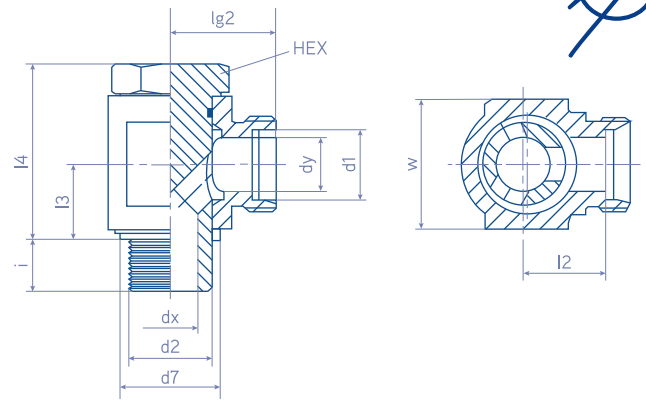
**FINISH:** : Chromium-(VI) Free plating

**VERSIONS:** Stainless Steel (add an 'S' at the end of the REFERENCE)

# BSP Banjo Tube Connector

34.113.

ISO 8434-1 tube coupling and DIN ISO 1179-1 Form-B  
BSP Thread



REFERENCE	serie	dimensions (mm)										
		Ø tube d1	d2	d7	dx	dy	lg2	l2	l3	l4	w	HEX
34.113.06LR02	L	6	1/8"	14.9	4.0	4.0	19.0	12.0	10.5	25.3	19	17
34.113.08LR04	L	8	1/4"	18.9	6.0	6.0	21.5	14.5	14.0	31.5	22	19
34.113.10LR04	L	10	1/4"	18.9	8.0	8.0	22.5	15.5	14.0	33.0	22	19
34.113.12LR06	L	12	3/8"	21.9	10.0	10.0	25.0	18.0	16.5	38.5	27	22
34.113.15LR08	L	15	1/2"	26.9	12.0	12.0	29.0	22.0	21.5	45.5	32	27
34.113.18LR08	L	18	1/2"	26.9	15.0	15.0	29.0	21.5	21.5	47.5	36	27
34.113.22LR12	L	22	3/4"	32.9	19.0	19.0	36.0	28.5	24.0	56.5	46	36
34.113.28LR16	L	28	1"	39.9	24.0	24.0	39.0	31.5	30.5	68.0	50	41
34.113.35LR20	L	35	1.1/4"	49.9	30.0	30.0	46.0	35.5	35.5	78.0	60	50
34.113.42LR24	L	42	1.1/2"	55.9	36.0	36.0	51.0	40.0	40.5	88.5	70	60
34.113.06SR04	S	6	1/4"	18.9	4.0	4.0	23.5	16.5	14.0	30.5	22	19
34.113.08SR04	S	8	1/4"	18.9	5.0	5.0	23.5	16.5	14.0	31.0	22	19
34.113.10SR06	S	10	3/8"	21.9	7.0	7.0	26.0	18.5	16.5	37.0	27	22
34.113.12SR06	S	12	3/8"	21.9	8.0	8.0	26.0	18.5	16.5	37.5	27	22
34.113.14SR08	S	14	1/2"	26.9	10.0	10.0	31.0	23.0	21.5	44.0	32	27
34.113.16SR08	S	16	1/2"	26.9	12.0	12.0	31.0	22.5	21.5	47.0	36	27
34.113.20SR12	S	20	3/4"	32.9	16.0	16.0	38.0	27.5	24.0	55.0	46	36
34.113.25SR16	S	25	1"	39.9	20.0	20.0	43.0	31.0	30.5	66.5	50	41
34.113.30SR20	S	30	1.1/4"	49.9	25.0	25.0	50.0	36.5	35.5	75.5	60	50
34.113.38SR24	S	38	1.1/2"	55.9	32.0	32.0	57.0	41.0	40.5	86.5	70	60

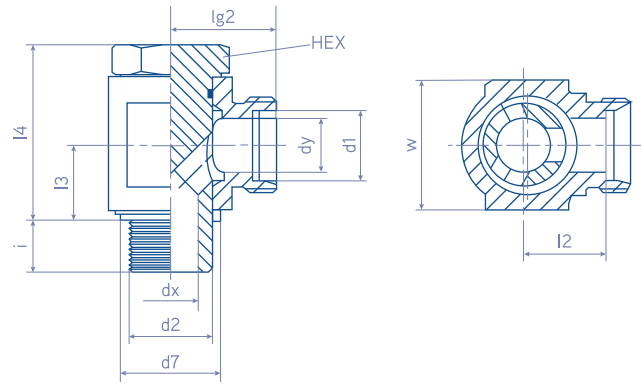
**MATERIAL:** Carbon Steel  
**FINISH:** : Chromium-(VI) Free plating

**COMPLETE:** With Double Edge Compression Ring and Tightening Nut (add an 'P' at the begin of REFERENCE)

**VERSIONS:** Stainless Steel (add an 'S' at the end of the REFERENCE)



# Metric Banjo Tube Connector



34.114.

ISO 8434-1 tube coupling and ISO 9974-1 Form-B  
Metric Thread

REFERENCE	serie	dimensions (mm)										
		∅ tube d1	d2	d7	dx	dy	lg2	l2	l3	l4	w	HEX
34.114.06LM10	L	6	M10x1.0	14.9	4.0	4.0	19.0	12.0	10.5	25.3	19	14
34.114.08LM12	L	8	M12x1.5	17.0	6.0	6.0	21.5	14.5	14.0	31.5	22	17
34.114.10LM14	L	10	M14x1.5	18.9	8.0	8.0	22.5	15.5	14.0	33.0	22	19
34.114.12LM16	L	12	M16x1.5	21.9	10.0	10.0	25.0	18.0	16.5	38.5	27	22
34.114.15LM18	L	15	M18x1.5	26.9	12.0	12.0	29.0	22.0	21.5	45.5	32	24
34.114.18LM22	L	18	M22x1.5	26.9	15.0	15.0	29.0	21.5	21.5	47.5	36	27
34.114.22LM26	L	22	M26x1.5	32.9	19.0	19.0	36.0	28.5	24.0	56.5	46	32
34.114.28LM33	L	28	M33x2.0	39.9	24.0	24.0	39.0	31.5	30.5	68.0	50	41
34.114.35LM42	L	35	M42x2.0	49.9	30.0	30.0	46.0	35.5	35.5	78.0	60	50
34.114.42LM48	L	42	M48x2.0	55.9	36.0	36.0	51.0	40.0	40.5	88.5	70	60
34.114.06SM12	S	6	M12x1.5	17.0	4.0	4.0	23.5	16.5	14.0	30.5	22	17
34.114.08SM14	S	8	M14x1.5	18.9	5.0	5.0	23.5	16.5	14.0	31.0	22	19
34.114.10SM16	S	10	M16x1.5	21.9	7.0	7.0	26.0	18.5	16.5	37.0	27	22
34.114.12SM18	S	12	M18x1.5	23.9	8.0	8.0	26.0	18.5	16.5	37.5	27	24
34.114.16SM22	S	16	M22x1.5	26.9	12.0	12.0	31.0	22.5	21.5	47.0	36	27
34.114.20SM27	S	20	M27x2.0	32.9	16.0	16.0	38.0	27.5	24.0	55.0	46	36
34.114.25SM33	S	25	M33x2.0	39.9	20.0	20.0	43.0	31.0	30.5	66.5	50	41
34.114.30SM42	S	30	M42x2.0	49.9	25.0	25.0	50.0	36.5	35.5	75.5	60	50
34.114.38SM48	S	38	M48x2.0	55.9	32.0	32.0	57.0	41.0	40.5	86.5	70	60

**MATERIAL:** Carbon Steel  
**FINISH:** : Chromium-(VI) Free plating

**COMPLETE:** With Double Edge Compression Ring and Tightening Nut (add an 'P' at the begin of REFERENCE)

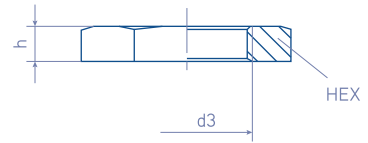
**VERSIONS:** Stainless Steel (add an 'S' at the end of the REFERENCE)



# Metric Bulkhead Nut

34.179.

ISO 8434-1 nut



REFERENCE	dimensions (mm)		
	d3	h	HEX
34.179.M12	M12x1.5	6.0	17
34.179.M14	M14x1.5	6.0	19
34.179.M16	M16x1.5	6.0	22
34.179.M18	M18x1.5	6.0	24
34.179.M20	M22x1.5	6.0	27
34.179.M22	M22x1.5	7.0	30
34.179.M24	M24x1.5	7.0	32
34.179.M26	M26x1.5	8.0	36
34.179.M30	M30x2.0	8.0	41
34.179.M36	M36x2.0	9.0	46
34.179.M42	M42x2.0	9.0	50
34.179.M45	M45x2.0	9.0	55
34.179.M52	M52x2.0	10.0	65

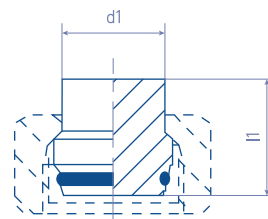
**MATERIAL:** Carbon Steel

**FINISH:** : Chromium-(VI) Free plating

**VERSIONS:** Stainless Steel (add an 'S' at the end of the REFERENCE)

# Blanking Nipple

34.158.  
ISO 8434-1 nipple



REFERENCE	serie	dimensions (mm)	
		Ø tube d1	l1
34.158.06LS	L/S	6	18.5
34.158.08LS	L/S	8	19.0
34.158.10LS	L/S	10	21.0
34.158.12LS	L/S	12	21.5
34.158.15L	L	15	20.5
34.158.18L	L	18	23.5
34.158.22L	L	22	26.0
34.158.28L	L	28	26.5
34.158.35L	L	35	32.0
34.158.42L	L	42	32.5
34.158.14S	S	6	24.0
34.158.16S	S	8	25.0
34.158.20S	S	10	30.5
34.158.25S	S	12	32.5
34.158.30S	S	14	35.5
34.158.38S	S	16	40.5

**MATERIAL:** Carbon Steel

**FINISH:** : Chromium-(VI) Free plating

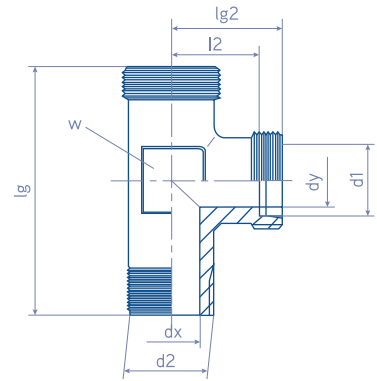
**VERSIONS:** Stainless Steel (add an 'S' at the end of the REFERENCE)



# Metric Male Run Tee Tube Connector

34.134.

ISO 8434-1 tube coupling and DIN 3852-1 Form-C Metric Thread



REFERENCE	serie	dimensions (mm)							
		Ø tube d1	d2	dx	dy	lg	lg2	l2	w
34.134.06LM10	L	6	M10x1.0	4.0	4.0	39.0	19.0	12.0	12
34.134.08LM12	L	8	M12x1.5	6.0	6.0	47.0	21.0	14.0	14
34.134.10LM14	L	10	M14x1.5	7.0	8.0	49.0	22.0	15.0	17
34.134.12LM16	L	12	M16x1.5	9.0	10.0	52.0	24.0	17.0	19
34.134.15LM18	L	15	M18x1.5	11.0	12.0	60.0	28.0	21.0	19
34.134.18LM22	L	18	M22x1.5	14.0	15.0	67.0	31.0	23.5	24
34.134.06SM12	S	6	M12x1.5	4.0	4.0	49.0	23.0	16.0	14
34.134.08SM14	S	8	M14x1.5	5.0	5.0	51.0	24.0	17.0	17
34.134.10SM16	S	10	M16x1.5	7.0	7.0	53.0	25.0	17.5	19
34.134.12SM18	S	12	M18x1.5	8.0	8.0	57.0	29.0	21.5	22
34.134.14SM20	S	14	M20x1.5	10.0	10.0	62.0	30.0	22.0	19
34.134.16SM22	S	16	M22x1.5	12.0	12.0	65.0	33.0	24.5	24

**MATERIAL:** Carbon Steel  
**FINISH:** : Chromium-(VI) Free plating

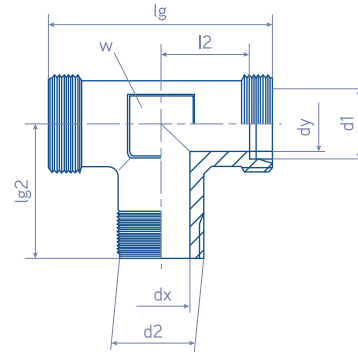
**COMPLETE:** With Double Edge Compression Ring and Tightening Nut (add an 'P' at the begin of REFERENCE)

**VERSIONS:** Stainless Steel (add an 'S' at the end of the REFERENCE)

# Metric Male Branch Tee Tube Connector

34.129.

ISO 8434-1 tube coupling and DIN 3852-1 Form-C Metric Thread



REFERENCE	serie	dimensions (mm)							
		Ø tube d1	d2	dx	dy	lg	lg2	l2	w
34.129.06LM10	L	6	M10x1.0	4.0	4.0	38.0	20.0	12.0	12
34.129.08LM12	L	8	M12x1.5	6.0	6.0	42.0	26.0	14.0	14
34.129.10LM14	L	10	M14x1.5	7.0	8.0	44.0	27.0	15.0	17
34.129.12LM16	L	12	M16x1.5	9.0	10.0	48.0	28.0	17.0	19
34.129.15LM18	L	15	M18x1.5	11.0	12.0	56.0	32.0	21.0	19
34.129.18LM22	L	18	M22x1.5	14.0	15.0	62.0	36.0	23.5	24
34.129.06SM12	S	6	M12x1.5	4.0	4.0	46.0	26.0	16.0	14
34.129.08SM14	S	8	M14x1.5	5.0	5.0	48.0	27.0	17.0	17
34.129.10SM16	S	10	M16x1.5	7.0	7.0	50.0	28.0	17.5	19
34.129.12SM18	S	12	M18x1.5	8.0	8.0	58.0	28.0	21.5	22
34.129.14SM20	S	14	M20x1.5	10.0	10.0	60.0	32.0	22.0	19
34.129.16SM22	S	16	M22x1.5	12.0	12.0	66.0	32.0	24.5	24

**MATERIAL:** Carbon Steel  
**FINISH:** : Chromium-(VI) Free plating

**COMPLETE:** With Double Edge Compression Ring and Tightening Nut (add an 'P' at the begin of REFERENCE)

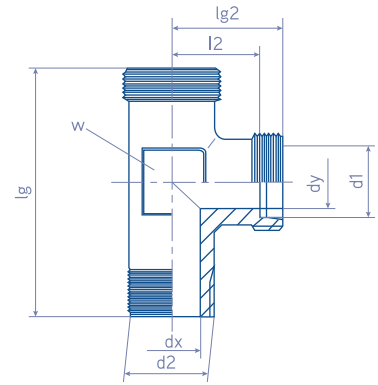
**VERSIONS:** Stainless Steel (add an 'S' at the end of the REFERENCE)



# BSPT Male Tapered Run Tee Tube Connector

34.130.

ISO 8434-1 tube coupling and DIN 3852-2 Form-C BSPT Thread



REFERENCE	serie	dimensions (mm)							
		Ø tube d1	d2	dx	dy	lg	lg2	l2	w
34.130.06LR02	L	6	1/8"	4.0	4.0	39.0	19.0	12.0	12
34.130.08LR04	L	8	1/4"	6.0	6.0	47.0	21.0	14.0	14
34.130.10LR04	L	10	1/4"	7.0	8.0	49.0	22.0	15.0	17
34.130.12LR04	L	12	1/4"	9.0	10.0	52.0	24.0	17.0	19
34.130.15LR08	L	15	1/2"	11.0	12.0	60.0	28.0	21.0	19
34.130.18LR08	L	18	1/2"	14.0	15.0	67.0	31.0	23.5	24
34.130.06SR04	S	6	1/4"	4.0	4.0	49.0	23.0	16.0	14
34.130.08SR04	S	8	1/4"	5.0	5.0	51.0	24.0	17.0	17
34.130.10SR06	S	10	3/8"	7.0	7.0	53.0	25.0	17.5	19
34.130.12SR06	S	12	3/8"	8.0	8.0	57.0	29.0	21.5	22
34.130.14SR08	S	14	1/2"	10.0	10.0	62.0	30.0	22.0	19
34.130.16SR08	S	16	1/2"	12.0	12.0	65.0	33.0	24.5	24

**MATERIAL:** Carbon Steel  
**FINISH:** : Chromium-(VI) Free plating

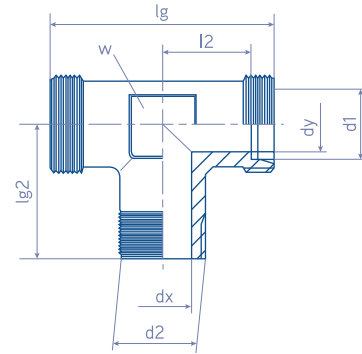
**COMPLETE:** With Double Edge Compression Ring and Tightening Nut (add an 'P' at the begin of REFERENCE)

**VERSIONS:** Stainless Steel (add an 'S' at the end of the REFERENCE)

# BSPT Male Tapered Branch Tee Tube Connector

34.125.

ISO 8434-1 tube coupling and DIN 3852-2 Form-C BSPT Thread



REFERENCE	serie	dimensions (mm)							
		Ø tube d1	d2	dx	dy	lg	lg2	l2	w
34.125.06LR02	L	6	1/8"	4.0	4.0	38.0	20.0	12.0	12
34.125.08LR04	L	8	1/4"	6.0	6.0	42.0	26.0	14.0	14
34.125.10LR04	L	10	1/4"	7.0	8.0	44.0	27.0	15.0	17
34.125.12LR04	L	12	1/4"	9.0	10.0	48.0	28.0	17.0	19
34.125.15LR08	L	15	1/2"	11.0	12.0	56.0	32.0	21.0	19
34.125.18LR08	L	18	1/2"	14.0	15.0	62.0	36.0	23.5	24
34.125.06SR04	S	6	1/4"	4.0	4.0	46.0	26.0	16.0	14
34.125.08SR04	S	8	1/4"	5.0	5.0	48.0	27.0	17.0	17
34.125.10SR06	S	10	3/8"	7.0	7.0	50.0	28.0	17.5	19
34.125.12SR06	S	12	3/8"	8.0	8.0	58.0	28.0	21.5	22
34.125.14SR08	S	14	1/2"	10.0	10.0	60.0	32.0	22.0	19
34.125.16SR08	S	16	1/2"	12.0	12.0	66.0	32.0	24.5	24

**MATERIAL:** Carbon Steel  
**FINISH:** : Chromium-(VI) Free plating

**COMPLETE:** With Double Edge Compression Ring and Tightening Nut (add an 'P' at the begin of REFERENCE)

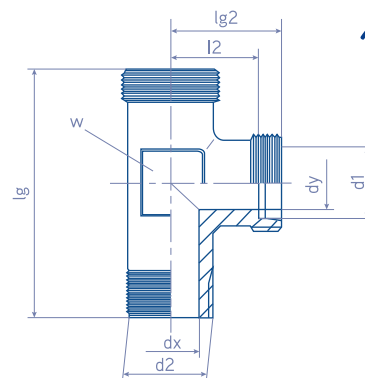
**VERSIONS:** Stainless Steel (add an 'S' at the end of the REFERENCE)



# NPT Male Run Tee Tube Connector

34.127.

ISO 8434-1 tube coupling and ANSI B1.20.3 NPT Thread



REFERENCE	serie	dimensions (mm)							
		Ø tube d1	d2	dx	dy	lg	lg2	l2	w
34.127.06LN02	L	6	1/8"	4.0	4.0	39.0	19.0	12.0	12
34.127.08LN04	L	8	1/4"	6.0	6.0	47.0	21.0	14.0	14
34.127.10LN04	L	10	1/4"	7.0	8.0	49.0	22.0	15.0	17
34.127.12LN04	L	12	1/4"	9.0	10.0	52.0	24.0	17.0	19
34.127.15LN08	L	15	1/2"	11.0	12.0	60.0	28.0	21.0	19
34.127.18LN08	L	18	1/2"	14.0	15.0	67.0	31.0	23.5	24
34.127.06SN04	S	6	1/4"	4.0	4.0	49.0	23.0	16.0	14
34.127.08SN04	S	8	1/4"	5.0	5.0	51.0	24.0	17.0	17
34.127.10SN06	S	10	3/8"	7.0	7.0	53.0	25.0	17.5	19
34.127.12SN06	S	12	3/8"	8.0	8.0	57.0	29.0	21.5	22
34.127.14SN08	S	14	1/2"	10.0	10.0	62.0	30.0	22.0	19
34.127.16SN08	S	16	1/2"	12.0	12.0	65.0	33.0	24.5	24

**MATERIAL:** Carbon Steel  
**FINISH:** : Chromium-(VI) Free plating

**COMPLETE:** With Double Edge Compression Ring and Tightening Nut (add an 'P' at the begin of REFERENCE)

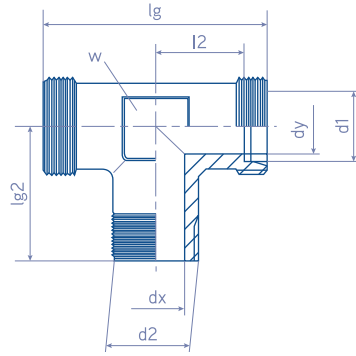
**VERSIONS:** Stainless Steel (add an 'S' at the end of the REFERENCE)



# NPT Male Branch Tee Tube Connector

34.126.

ISO 8434-1 tube coupling and ANSI B1.20.3 NPT Thread



REFERENCE	serie	dimensions (mm)							
		Ø tube d1	d2	dx	dy	lg	lg2	l2	w
34.126.06LN02	L	6	1/8"	4.0	4.0	38.0	20.0	12.0	12
34.126.08LN04	L	8	1/4"	6.0	6.0	42.0	26.0	14.0	14
34.126.10LN04	L	10	1/4"	7.0	8.0	44.0	27.0	15.0	17
34.126.12LN04	L	12	1/4"	9.0	10.0	48.0	28.0	17.0	19
34.126.15LN08	L	15	1/2"	11.0	12.0	56.0	32.0	21.0	19
34.126.18LN08	L	18	1/2"	14.0	15.0	62.0	36.0	23.5	24
34.126.06SN04	S	6	1/4"	4.0	4.0	46.0	26.0	16.0	14
34.126.08SN04	S	8	1/4"	5.0	5.0	48.0	27.0	17.0	17
34.126.10SN06	S	10	3/8"	7.0	7.0	50.0	28.0	17.5	19
34.126.12SN06	S	12	3/8"	8.0	8.0	58.0	28.0	21.5	22
34.126.14SN08	S	14	1/2"	10.0	10.0	60.0	32.0	22.0	19
34.126.16SN08	S	16	1/2"	12.0	12.0	66.0	32.0	24.5	24

**MATERIAL:** Carbon Steel  
**FINISH:** : Chromium-(VI) Free plating

**COMPLETE:** With Double Edge Compression Ring and Tightening Nut (add an 'P' at the begin of REFERENCE)

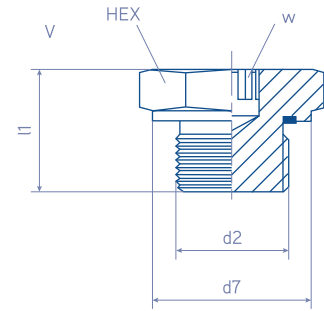
**VERSIONS:** Stainless Steel (add an 'S' at the end of the REFERENCE)



# Metric Plug with Hexagon Socket

34.177.

ISO 8434-1 Plug



REFERENCE	dimensions (mm)				
	d2	d7	l1	W	HEX
34.177.M10	M10X1.0	13.9	18.0	5	14
34.177.M12	M12x1.5	17.0	17.3	6	17
34.177.M14	M14x1.5	18.9	22.0	8	19
34.177.M16	M16x1.5	21.9	17.3	8	22
34.177.M18	M18x1.5	23.9	22.0	8	24
34.177.M20	M20x1.5	25.9	19.3	10	27
34.177.M22	M22x1.5	27.0	19.3	10	30
34.177.M24	M24x1.5	29.9	19.3	12	32
34.177.M26	M26x1.5	31.9	21.3	12	36
34.177.M27	M27x2.0	32.0	21.3	12	36
34.177.M33	M33x2.0	46.0	33.0	17	41
34.177.M42	M42x2.0	49.9	22.8	22	46
34.177.M48	M48x2.0	55.0	22.8	24	50

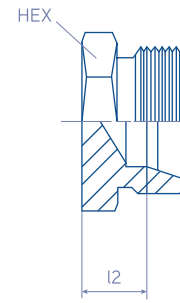
**MATERIAL:** Carbon Steel  
**FINISH:** : Chromium-(VI) Free plating

**COMPLETE:** With Double Edge Compression Ring and Tightening Nut (add an 'P' at the begin of REFERENCE)

**VERSIONS:** Stainless Steel (add an 'S' at the end of the REFERENCE)

# Tube Blanking Screw

34.175.  
ISO 8434-1 Plug



REFERENCE	serie	dimensions (mm)		
		Ø tube d1	l2	HEX
34.175.06L	L	6	7.0	12
34.175.08L	L	8	8.0	14
34.175.10L	L	10	9.0	17
34.175.12L	L	12	10.0	19
34.175.15L	L	15	11.0	24
34.175.18L	L	18	11.5	27
34.175.22L	L	22	13.5	32
34.175.28L	L	28	14.5	41
34.175.35L	L	35	14.5	46
34.175.42L	L	42	18.5	55
34.175.06S	S	6	11.0	14
34.175.08S	S	8	13.0	17
34.175.10S	S	10	12.5	19
34.175.12S	S	12	14.5	22
34.175.14S	S	14	16.0	24
34.175.16S	S	16	15.5	27
34.175.20S	S	20	17.5	32
34.175.25S	S	25	20.0	41
34.175.30S	S	30	20.5	46
34.175.38S	S	38	23.0	55

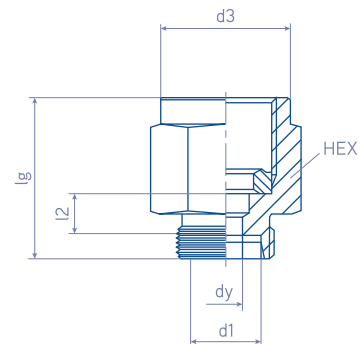
**MATERIAL:** Carbon Steel  
**FINISH:** : Chromium-(VI) Free plating

**COMPLETE:** With Double Edge Compression Ring and Tightening Nut (add an 'P' at the begin of REFERENCE)

**VERSIONS:** Stainless Steel (add an 'S' at the end of the REFERENCE)

# BSP Gauge Tube Connector

34.159.



REFERENCE	serie	dimensions (mm)					
		Ø tube d1	d3	dy	lg	l2	HEX
34.159.06LR04	L	6	1/4"	4.0	29.0	7.5	19
34.159.08LR04	L	8	1/4"	4.0	29.0	7.5	19
34.159.10LR04	L	10	1/4"	4.0	30.0	8.5	19
34.159.12LR04	L	12	1/4"	4.0	30.0	8.5	19

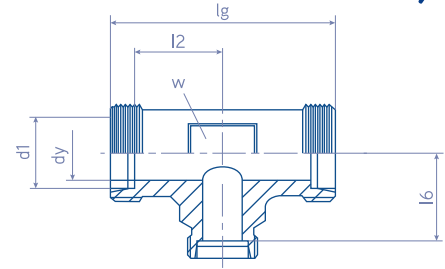
**MATERIAL:** Carbon Steel  
**FINISH:** : Chromium-(VI) Free plating

**COMPLETE:** With Double Edge Compression Ring and Tightening Nut (add an 'P' at the begin of REFERENCE)

**VERSIONS:** Stainless Steel (add an 'S' at the end of the REFERENCE)



# Swivel Reducing Tube Connector



34.153.

ISO 8434-1 tube coupling

REFERENCE	serie	dimensions (mm)						
		Ø tube d1	Ø tube d1	dy	lg	l2	l6	w
34.153.0806L	L	6	8	4.0	33.0	26.0	12	17
34.153.1006L	L	6	10	4.0	34.0	27.0	12	19
34.153.1008L	L	8	10	6.0	35.0	28.0	14	19
34.153.1206L	L	6	12	4.0	37.0	30.0	14	22
34.153.1208L	L	8	12	6.0	37.0	30.0	14	22
34.153.1210L	L	10	12	8.0	38.0	31.0	17	22
34.153.1506L	L	6	15	4.0	38.0	31.0	17	27
34.153.1508L	L	8	15	6.0	38.0	31.0	17	27
34.153.1510L	L	10	15	8.0	39.0	32.0	17	27
34.153.1512L	L	12	15	10.0	40.0	33.0	19	27
34.153.1806L	L	6	18	4.0	37.5	30.5	19	32
34.153.1808L	L	8	18	6.0	37.5	30.5	19	32
34.153.1810L	L	10	18	8.0	38.5	31.5	19	32
34.153.1812L	L	12	18	10.0	38.5	31.5	19	32
34.153.1815L	L	15	18	12.0	39.5	32.5	24	32
34.153.2206L	L	6	22	4.0	41.0	34.0	24	36
34.153.2208L	L	8	22	6.0	38.5	31.5	24	36
34.153.2210L	L	10	22	8.0	39.5	32.5	24	36
34.153.2212L	L	12	22	10.0	39.5	32.5	24	36
34.153.2215L	L	15	22	12.0	40.5	33.5	24	36
34.153.2218L	L	18	22	15.0	41.5	34.0	27	36
34.153.2806L	L	6	28	4.0	42.0	35.0	30	41
34.153.2808L	L	8	28	6.0	42.0	35.0	30	41
34.153.2810L	L	10	28	8.0	41.0	34.0	30	41
34.153.2812L	L	12	28	10.0	41.0	34.0	30	41
34.153.2815L	L	15	28	12.0	42.0	35.0	30	41
34.153.2818L	L	18	28	15.0	43.0	35.5	30	41
34.153.2822L	L	22	28	19.0	45.0	37.5	32	41
34.153.3508L	L	8	35	6.0	48.0	41.0	36	50
34.153.3510L	L	10	35	8.0	49.0	42.0	36	50
34.153.3512L	L	12	35	10.0	47.5	40.5	36	50
34.153.3515L	L	15	35	12.0	48.5	41.5	36	50
34.153.3518L	L	18	35	15.0	49.5	42.0	36	50
34.153.3522L	L	22	35	19.0	51.5	44.0	36	50
34.153.3528L	L	28	35	24.0	52.5	45.0	41	50
34.153.4210L	L	10	42	8.0	51.0	44.0	46	60
34.153.4212L	L	12	42	10.0	51.0	44.0	46	60
34.153.4215L	L	15	42	12.0	52.0	45.0	46	60

REFERENCE	serie	dimensions (mm)						
		Ø tube d1	Ø tube d1	dy	lg	l2	l6	w
34.153.4218L	L	18	42	15.0	52.0	44.5	46	60
34.153.4222L	L	22	42	19.0	54.0	46.5	46	60
34.153.4228L	L	28	42	24.0	55.0	47.5	46	60
34.153.4235L	L	35	42	30.0	58.0	47.5	46	60
34.153.0806S	S	6	8	4.0	37.0	30.0	14	19
34.153.1006S	S	6	10	4.0	39.0	32.0	14	22
34.153.1008S	S	8	10	5.0	41.0	34.0	17	22
34.153.1206S	S	6	12	4.0	39.0	32.0	17	24
34.153.1208S	S	8	12	5.0	41.0	34.0	17	24
34.153.1210S	S	10	12	7.0	41.0	33.5	19	24
34.153.1406S	S	6	14	4.0	42.0	35.0	17	27
34.153.1408S	S	8	14	5.0	44.0	37.0	17	27
34.153.1410S	S	10	14	7.0	44.0	36.5	19	27
34.153.1412S	S	12	14	8.0	46.0	38.5	22	27
34.153.1608S	S	8	16	5.0	44.0	37.0	17	30
34.153.1610S	S	10	16	7.0	44.0	36.5	19	30
34.153.1612S	S	12	16	8.0	46.0	38.5	22	30
34.153.1614S	S	14	16	10.0	48.0	40.0	24	30
34.153.2006S	S	6	20	4.0	47.0	40.0	22	36
34.153.4212L	L	12	42	10.0	51.0	44.0	46	60
34.153.4215L	L	15	42	12.0	52.0	45.0	46	60
34.153.4218L	L	18	42	15.0	52.0	44.5	46	60
34.153.4222L	L	22	42	19.0	54.0	46.5	46	60
34.153.4228L	L	28	42	24.0	55.0	47.5	46	60
34.153.4235L	L	35	42	30.0	58.0	47.5	46	60
34.153.0806S	S	6	8	4.0	37.0	30.0	14	19
34.153.1006S	S	6	10	4.0	39.0	32.0	14	22
34.153.1008S	S	8	10	5.0	41.0	34.0	17	22
34.153.1206S	S	6	12	4.0	39.0	32.0	17	24
34.153.1208S	S	8	12	5.0	41.0	34.0	17	24
34.153.1210S	S	10	12	7.0	41.0	33.5	19	24
34.153.1406S	S	6	14	4.0	42.0	35.0	17	27
34.153.1408S	S	8	14	5.0	44.0	37.0	17	27
34.153.1410S	S	10	14	7.0	44.0	36.5	19	27
34.153.1412S	S	12	14	8.0	46.0	38.5	22	27
34.153.1608S	S	8	16	5.0	44.0	37.0	17	30
34.153.1610S	S	10	16	7.0	44.0	36.5	19	30
34.153.1612S	S	12	16	8.0	46.0	38.5	22	30
34.153.1614S	S	14	16	10.0	48.0	40.0	24	30
34.153.2006S	S	6	20	4.0	47.0	40.0	22	36
34.153.1612S	S	12	16	8.0	46.0	38.5	22	30
34.153.1614S	S	14	16	10.0	48.0	40.0	24	30
34.153.2006S	S	6	20	4.0	47.0	40.0	22	36

**MATERIAL:** Carbon Steel  
**FINISH:** : Chromium-(VI) Free plating

**COMPLETE:** With Double Edge Compression Ring and Tightening Nut (add an 'P' at the begin of REFERENCE)

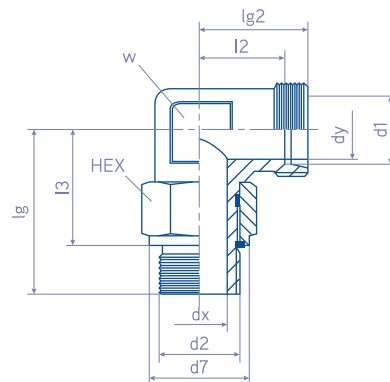
**VERSIONS:** Stainless Steel (add an 'S' at the end of the REFERENCE)



# BSP Male Adjustable 90° Elbow Tube Connector

34.143.

ISO 8434-1 tube coupling and DIN ISO 1179-2 Form-E BSP Thread



REFERENCE	serie	dimensions (mm)										
		Ø tube d1	d2	d7	dx	dy	lg	lg2	l2	l3	w	HEX
34.143.06LR02	L	6	1/8"	13.9	4.0	4.0	29.0	21.0	14.0	21.0	14	14
34.143.08LR04	L	8	1/4"	18.9	7.0	6.0	38.0	23.0	16.0	26.0	17	19
34.143.10LR04	L	10	1/4"	18.9	7.0	8.0	38.0	24.0	17.0	26.0	17	19
34.143.12LR06	L	12	3/8"	21.9	10.0	10.0	41.0	26.0	19.0	29.0	19	22
34.143.15LR08	L	15	1/2"	26.9	12.5	12.0	44.0	28.0	21.0	30.0	22	27
34.143.18LR08	L	18	1/2"	26.9	12.5	15.0	51.0	33.0	25.5	37.0	27	27
34.143.22LR12	L	22	3/4"	35.9	18.0	19.0	55.0	35.0	27.5	39.0	27	36
34.143.28LR16	L	28	1"	40.9	21.5	24.0	68.5	40.0	32.5	50.5	41	41
34.143.35LR20	L	35	1.1/4"	49.9	27.5	30.0	76.0	46.5	36.0	56.0	50	50
34.143.42LR24	L	42	1.1/2"	54.9	33.0	36.0	79.5	51.0	40.0	57.5	50	55
34.143.06SR04	S	6	1/4"	18.9	6.0	4.0	38.0	25.0	18.0	26.0	17	19
34.143.08SR04	S	8	1/4"	18.9	7.0	5.0	38.0	25.0	18.0	26.0	17	19
34.143.10SR06	S	10	3/8"	21.9	10.0	7.0	41.0	27.0	19.5	29.0	19	22
34.143.12SR06	S	12	3/8"	21.9	10.0	8.0	41.0	29.0	21.5	29.0	19	22
34.143.14SR08	S	14	1/2"	26.9	10.0	10.0	44.0	30.0	22.0	30.0	24	27
34.143.16SR08	S	16	1/2"	26.9	10.0	12.0	51.0	35.0	26.5	37.0	27	27
34.143.20SR12	S	20	3/4"	35.9	15.5	16.0	55.0	38.0	27.5	39.0	27	36
34.143.25SR16	S	25	1"	40.9	21.5	20.0	68.5	44.0	32.0	50.5	41	41
34.143.30SR20	S	30	1.1/4"	49.9	27.5	25.0	76.0	50.0	36.5	56.0	50	50
34.143.38SR24	S	38	1.1/2"	54.9	33.0	32.0	79.5	57.0	41.0	57.5	50	55

**MATERIAL:** Carbon Steel  
**FINISH:** : Chromium-(VI) Free plating

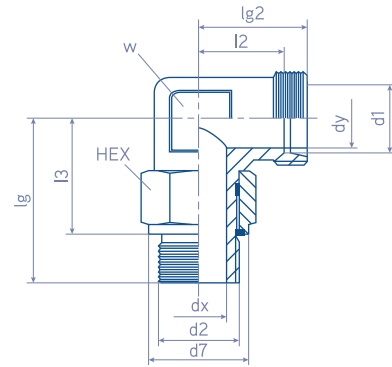
**COMPLETE:** With Double Edge Compression Ring and Tightening Nut (add an 'P' at the begin of REFERENCE)

**VERSIONS:** Stainless Steel (add an 'S' at the end of the REFERENCE)

# Metric Male Adjustable 90° Elbow Tube Connector

34.144.

ISO 8434-1 tube coupling and ISO 9974-2 Form-E Metric Thread



REFERENCE	serie	dimensions (mm)										
		Ø tube d1	d2	d7	dx	dy	lg	lg2	l2	l3	w	HEX
34.144.06LM10	L	6	M10x1.0	13.9	4.5	4.0	29.5	21.0	14.0	21.5	14	14
34.144.08LM12	L	8	M12x1.5	16.9	6.0	6.0	36.5	23.0	16.0	24.5	17	19
34.144.10LM14	L	10	M14x1.5	18.9	7.5	8.0	39.0	24.0	17.0	27.0	17	19
34.144.12LM16	L	12	M16x1.5	21.9	9.0	10.0	40.0	26.0	19.0	28.0	19	22
34.144.15LM18	L	15	M18x1.5	23.9	11.0	12.0	32.0	28.0	21.0	30.0	22	27
34.144.18LM22	L	18	M22x1.5	26.9	14.0	15.0	49.5	33.0	25.5	35.5	27	27
34.144.22LM26	L	22	M26x1.5	31.9	18.0	19.0	53.0	35.0	27.5	37.0	27	36
34.144.28LM33	L	28	M33x2.0	40.9	23.0	24.0	68.5	40.0	32.5	50.5	41	41
34.144.35LM42	L	35	M42x2.0	49.9	30.0	30.0	75.5	46.5	36.0	55.5	50	50
34.144.42LM48	L	42	M48x2.0	54.9	36.0	36.0	79.5	51.0	40.0	57.5	50	55
34.144.06SM12	S	6	M12x1.5	16.9	4.0	4.0	36.5	25.0	18.0	24.5	17	19
34.144.08SM14	S	8	M14x1.5	18.9	6.0	5.0	39.0	25.0	18.0	27.0	17	19
34.144.10SM16	S	10	M16x1.5	21.9	7.0	7.0	40.0	27.0	19.5	28.0	19	22
34.144.12SM18	S	12	M18x1.5	23.9	9.0	8.0	42.0	29.0	21.5	30.0	19	22
34.144.16SM22	S	16	M22x1.5	26.9	12.0	12.0	49.5	35.0	26.5	35.5	27	27
34.144.20SM27	S	20	M27x2.0	31.9	15.0	16.0	56.0	38.0	27.5	40.0	27	36
34.144.25SM33	S	25	M33x2.0	40.9	20.0	20.0	68.5	44.0	32.0	50.5	41	41
34.144.30SM42	S	30	M42x2.0	49.9	26.0	25.0	75.5	50.0	36.5	55.5	50	50
34.144.38SM48	S	38	M48x2.0	54.9	32.0	32.0	79.5	57.0	41.0	57.5	50	55

**MATERIAL:** Carbon Steel  
**FINISH:** : Chromium-(VI) Free plating

**COMPLETE:** With Double Edge Compression Ring and Tightening Nut (add an 'P' at the begin of REFERENCE)

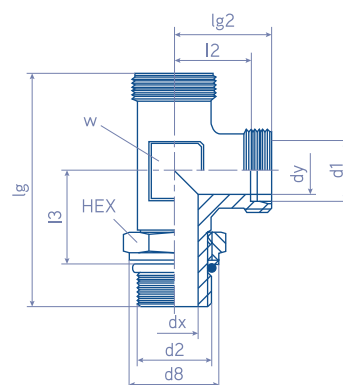
**VERSIONS:** Stainless Steel (add an 'S' at the end of the REFERENCE)



# Metric Male Run Tee Tube Connector

34.148.

ISO 8434-1 tube coupling and ISO 9974-2 Form-E Metric Thread



REFERENCE	serie	dimensions (mm)										
		Ø tube d1	d2	d8	dx	dy	lg	lg2	l2	l3	w	HEX
34.148.06LM10	L	6	M10x1.0	14.5	4.5	4.0	44.0	27.0	15.0	20.0	14	14
34.148.08LM12	L	8	M12x1.5	17.5	6.0	6.0	44.0	32.0	15.0	22.0	14	17
34.148.10LM14	L	10	M14x1.5	19.5	7.5	8.0	49.0	35.0	17.5	25.0	17	19
34.148.12LM16	L	12	M16x1.5	22.5	9.0	10.0	54.0	36.0	20.0	26.0	19	22
34.148.15LM18	L	15	M18x1.5	24.5	11.0	12.0	56.0	41.0	21.0	30.0	22	24
34.148.18LM22	L	18	M22x1.5	27.5	14.0	15.0	66.0	45.0	25.5	33.0	27	27
34.148.22LM26	L	22	M26x1.5	32.5	18.0	19.0	70.0	49.0	27.5	35.0	27	32
34.148.28LM33	L	28	M33x2.0	41.5	23.0	24.0	76.0	52.0	30.5	38.0	36	41
34.148.35LM42	L	35	M42x2.0	50.5	30.0	30.0	90.0	62.0	34.5	48.0	41	50
34.148.42LM48	L	42	M48x2.0	55.5	36.0	36.0	102.0	65.0	40.0	49.0	50	55
34.148.06SM12	S	6	M12x1.5	17.5	4.0	4.0	44.0	32.0	15.0	22.0	17	17
34.148.08SM14	S	8	M14x1.5	19.5	6.0	5.0	54.0	36.0	20.0	26.0	19	19
34.148.10SM16	S	10	M16x1.5	22.5	7.0	7.0	55.0	38.0	20.0	27.0	19	22
34.148.12SM18	S	12	M18x1.5	24.5	9.0	8.0	58.0	43.0	21.5	31.0	22	24
34.148.16SM22	S	16	M22x1.5	27.5	12.0	12.0	66.0	49.0	24.5	35.0	22	27
34.148.20SM27	S	20	M27x2.0	32.5	15.0	16.0	74.0	55.0	26.5	39.0	27	32
34.148.25SM33	S	25	M33x2.0	41.5	20.0	20.0	84.0	60.0	30.0	44.0	36	41
34.148.30SM42	S	30	M42x2.0	50.5	26.0	25.0	98.0	68.0	35.5	51.0	41	50
34.148.38SM48	S	38	M48x2.0	55.5	32.0	32.0	114.0	73.0	41.0	54.0	50	55

**MATERIAL:** Carbon Steel  
**FINISH:** : Chromium-(VI) Free plating

**COMPLETE:** With Double Edge Compression Ring and Tightening Nut (add an 'P' at the begin of REFERENCE)

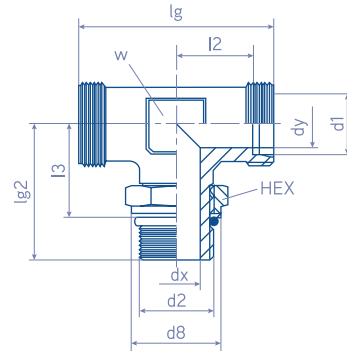
**VERSIONS:** Stainless Steel (add an 'S' at the end of the REFERENCE)



# Metric Male Branch Tee Tube Connector

34.152.

ISO 8434-1 tube coupling and ISO 9974-2 Form-E Metric Thread



REFERENCE	serie	dimensions (mm)										
		Ø tube d1	d2	d8	dx	dy	lg	lg2	l2	l3	w	HEX
34.152.06LM10	L	6	M10x1.0	14.5	4.5	4.0	48.0	21.0	14.0	20.0	14	14
34.152.08LM12	L	8	M12x1.5	17.5	6.0	6.0	55.0	23.0	16.0	22.0	14	17
34.152.10LM14	L	10	M14x1.5	19.5	7.5	8.0	59.0	24.0	17.0	25.0	17	19
34.152.12LM16	L	12	M16x1.5	22.5	9.0	10.0	62.0	26.0	19.0	26.0	19	22
34.152.15LM18	L	15	M18x1.5	24.5	11.0	12.0	69.0	28.0	21.0	30.0	22	24
34.152.18LM22	L	18	M22x1.5	27.5	14.0	15.0	79.0	34.0	26.5	33.0	27	27
34.152.22LM26	L	22	M26x1.5	32.5	18.0	19.0	84.0	35.0	27.5	35.0	27	32
34.152.28LM33	L	28	M33x2.0	41.5	23.0	24.0	90.0	38.0	30.5	38.0	36	41
34.152.35LM42	L	35	M42x2.0	50.5	30.0	30.0	107.0	45.0	34.5	48.0	41	50
34.152.42LM48	L	42	M48x2.0	55.5	36.0	36.0	116.0	51.0	40.0	49.0	50	55
34.152.06SM12	S	6	M12x1.5	17.5	4.0	4.0	55.0	23.0	16.0	22.0	17	17
34.152.08SM14	S	8	M14x1.5	19.5	6.0	5.0	60.0	24.0	17.0	26.0	19	19
34.152.10SM16	S	10	M16x1.5	22.5	7.0	7.0	65.0	27.0	19.5	27.0	19	22
34.152.12SM18	S	12	M18x1.5	24.5	9.0	8.0	75.0	32.0	24.5	31.0	22	24
34.152.16SM22	S	16	M22x1.5	27.5	12.0	12.0	82.0	33.0	24.5	35.0	22	27
34.152.20SM27	S	20	M27x2.0	32.5	15.0	16.0	92.0	37.0	26.5	39.0	27	32
34.152.25SM33	S	25	M33x2.0	41.5	20.0	20.0	102.0	42.0	30.0	44.0	36	41
34.152.30SM42	S	30	M42x2.0	50.5	26.0	25.0	117.0	49.0	35.5	51.0	41	50
34.152.38SM48	S	38	M48x2.0	55.5	32.0	32.0	130.0	57.0	41.0	54.0	50	55

**MATERIAL:** Carbon Steel  
**FINISH:** : Chromium-(VI) Free plating

**COMPLETE:** With Double Edge Compression Ring and Tightening Nut (add an 'P' at the begin of REFERENCE)

**VERSIONS:** Stainless Steel (add an 'S' at the end of the REFERENCE)









# Cold Drawn Seamless Tube



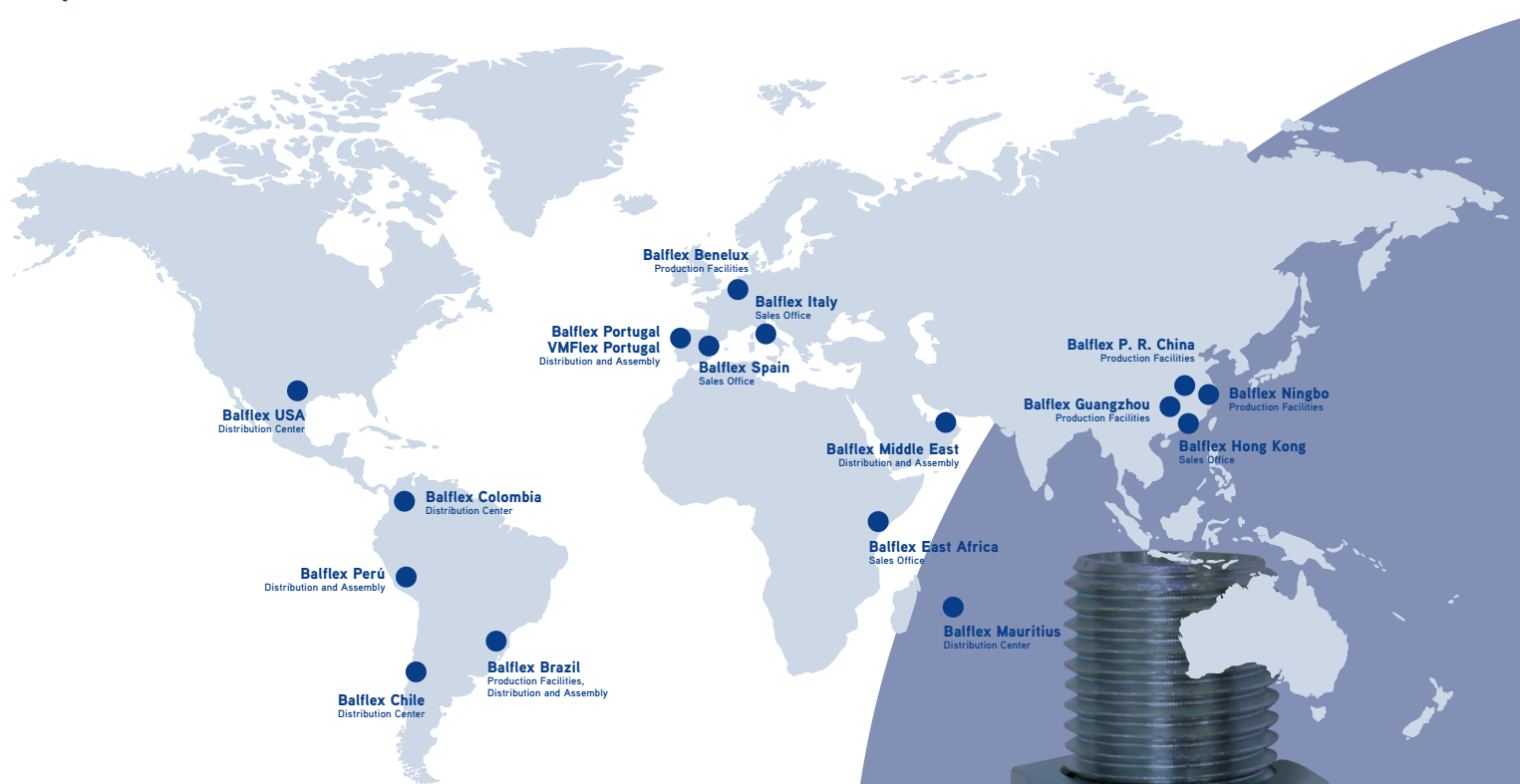
34.205.

DIN 2391-C / EN ISO 10305-4

#	Specification Tube (O.D x W.T)			Wall Thickness mm			
		mm	mm		MPa	PSI	
34.205.0410G	4 x 1	2	4	1	<b>52.2</b>	7571	
34.205.0610G	6 x 1	4	6	1	<b>38.9</b>	5642	
34.205.0615G	6 x 1.5	3	6	1.5	<b>54.9</b>	7963	
34.205.0620G	6 x 2	2	6	2	<b>69.2</b>	10037	
34.205.0810G	8 x 1	6	8	1	<b>33.3</b>	4830	
34.205.0815G	8 x 1.5	5	8	1.5	<b>43.1</b>	6251	
34.205.0820G	8 x 2	4	8	2	<b>54.9</b>	7963	
34.205.0825G	8 x 2.5	3	8	2.5	<b>65.8</b>	9543	
34.205.1010G	10 x 1	8	10	1	<b>28.2</b>	4090	
34.205.1015G	10 x 1.5	7	10	1.5	<b>37.3</b>	5410	
34.205.1020G	10 x 2	6	10	2	<b>47.8</b>	6933	
34.205.1025G	10 x 2.5	5	10	2.5	<b>57.6</b>	8354	
34.205.1210G	12 x 1	10	12	1	<b>23.5</b>	3408	
34.205.1215G	12 x 1.5	9	12	1.5	<b>35.3</b>	5120	
34.205.1220G	12 x 2	8	12	2	<b>40.9</b>	5932	
34.205.1225G	12 x 2.5	7	12	2.5	<b>49.5</b>	7179	
34.205.1415G	14 x 1.5	11	14	1.5	<b>30.2</b>	4380	
34.205.1420G	14 x 2	10	14	2	<b>40.3</b>	5845	
34.205.1515G	15 x 1.5	12	15	1.5	<b>28.2</b>	4090	
34.205.1520G	15 x 2	11	15	2	<b>37.6</b>	5453	
34.205.1615G	16 x 1.5	13	16	1.5	<b>26.4</b>	3829	
34.205.1620G	16 x 2	12	16	2	<b>35.3</b>	5120	
34.205.1625G	16 x 2.5	11	16	2.5	<b>38.6</b>	5598	
34.205.1630G	16 x 3	10	16	3	<b>45.2</b>	6556	
34.205.1815G	18 x 1.5	15	18	1.5	<b>23.5</b>	3408	
34.205.1820G	18 x 2	14	18	2	<b>31.3</b>	4540	
34.205.1825G	18 x 2.5	13	18	2.5	<b>39.2</b>	5685	
34.205.2015G	20 x 1.5	17	20	1.5	<b>21.2</b>	3075	
34.205.2020G	20 x 2	16	20	2	<b>28.2</b>	4090	
34.205.2025G	20 x 2.5	15	20	2.5	<b>35.3</b>	5120	
34.205.2030G	20 x 3	14	20	3	<b>37.3</b>	5410	
34.205.2040G	20 x 4	12	20	4	<b>47.8</b>	6933	
34.205.2215G	22 x 1.5	19	22	1.5	<b>19.2</b>	2785	
34.205.2220G	22 x 2	18	22	2	<b>25.6</b>	3713	
34.205.2225G	22 x 2.5	17	22	2.5	<b>32</b>	4641	
34.205.2520G	25 x 2	21	25	2	<b>22.6</b>	3278	
34.205.2525G	25 x 2.5	20	25	2.5	<b>28.2</b>	4090	

#	Specification Tube (O.D x W.T)			Wall Thickness		
		mm	mm		mm	
34.205.2540G	25 x 4	17	25	4	<b>39.4</b>	5714
34.205.2820G	28 x 2	24	28	2	<b>20.1</b>	2915
34.205.2825G	28 x 2.5	23	28	2.5	<b>25.2</b>	3655
34.205.2830G	28 x 3	22	28	3	<b>30.2</b>	4380
34.205.2840G	28 x 4	20	28	4	<b>40.3</b>	5845
34.205.3020G	30 x 2	26	30	2	<b>18.8</b>	2727
34.205.3030G	30 x 3	24	30	3	<b>28.2</b>	4090
34.205.3040G	30 x 4	22	30	4	<b>37.6</b>	5453
34.205.3520G	35 x 2	31	35	2	<b>16.1</b>	2335
34.205.3530G	35 x 3	29	35	3	<b>24.2</b>	3510
34.205.3540G	35 x 4	27	35	4	<b>32.2</b>	4670
34.205.3825G	38 x 2.5	33	38	2.5	<b>18.6</b>	2698
34.205.3830G	38 x 3	32	38	3	<b>22.3</b>	3234
34.205.3840G	38 x 4	30	38	4	<b>29.7</b>	4308
34.205.3850G	38 x 5	28	38	5	<b>37.1</b>	5381
34.205.3860G	38 x 6	26	38	6	<b>39</b>	5656
34.205.4220G	42 x 2	38	42	2	<b>13.4</b>	1944
34.205.4230G	42 x 3	36	42	3	<b>20.1</b>	2915
34.205.4240G	42 x 4	34	42	4	<b>26.9</b>	3902

Dimensions and tolerances according to DIN 2391/1 – EN ISO 10305-4 (ISO 3304), and material conforming St 37.4  
 All **Balflex** pipes are normalized and controlled.  
 The Working Pressure indicated were determined in conforming with DIN213. Scope to application I, for primary static load at temperatures up to +120°C (+248°F)  
**Balflex** covers the wide range needed in high performance piping system:  
 G -NBK/ZN – Normalized, electric zinc plated with Cr-VI-free passivation c. E355N (St 52.4)  
 PH- NBK – Normalized, phosphated and oiled inside and outside d. E355N (St 52.4)



## Portugal

R. Bouça dos Estilhadouros, 226/254  
Zona Industrial Alto de Vilar  
4445-044 Alfena  
Tel: (351) 22 96 98 160  
Fax: (351) 22 96 98 168  
Email: [infobalflex@balflex.pt](mailto:infobalflex@balflex.pt)

## U.S.A.

6000 South Loop East Fwy  
Houston, TX 77033  
Tel: (1) 713-928-6064  
Fax: (1) 713-928-6114  
Email: [sales@balflex.com](mailto:sales@balflex.com)

## Brasil

R. Padre Cesari Lelli, 1014  
Rodovia BR-116  
CEP 83420-000 Quatro Barras/PR  
Tel: (55) 41 3671 3450  
Fax: (55) 41 3671 3502  
Email: [comercial@balflex.com.br](mailto:comercial@balflex.com.br)

[www.balflex.com](http://www.balflex.com)

An ISO 9001:2015 Company:

